

Xitanium Constant Current Outdoor

LED Driver Outdoor 12W/0.35A-33V 230V

Long-lasting and low maintenance, LED-based light sources are an excellent solution for outdoor environments. For optimal performance, LED luminaires require reliable drivers which match the long lifetime of the LEDs. Xitanium Constant Current Outdoor product family offers a selection of LED drivers with lower output voltages in a range of convenient form-factors and wattages. The Xitanium Outdoor drivers are SELV (Safety Extra Low Voltage) compliant, enabling easy LED light engine design.

Product data

• General Characteristics

Input Frequency	50 Hz
IP Classification	IP66
Lifetime 90% surv.@Tcaselife	50000 hr
Housing Colour	White

• Operating Characteristics

12V output	No
Efficiency Range	80 %
Output Power Range	0.9-12.0 W
Power Factor (100% load)	0.9 (min) -
Input Power max	15 W
Output Voltage Range	2.4-33 V
Output Current Range (mA)	350
Total Harmonic Distortion IEC	20 (max) %
Input Current max	90 (max) mA
Inrush Current Peak	5.5 (max) A
Output Current Tolerance	-5 (min), 5 (max) %
Inrush Current Width to 50%	53 us
Type of Dimming	None

• Wiring Characteristics

Connection on driver to L2	Wire
Input Wire Length	220 mm
Input Wire Diameter	0.75 mm ²
Output Wire Length	220 mm

• Temperature Characteristics

T-case maximum	90 (max) C
T-ambient	-40 (min), 60 (max) C
T-Storage	-40 (min), 80 (max) C

• Product Dimensions

Length A1	132 mm
Width B1	34.2 mm
Height C1	25 mm
Fixing Hole Diameter D1	4.5 mm
Fixing Hole Distance Width B2	24.6 mm
Fixing Hole Distance Length A2	122.4 mm

• Approval&Application Chars

Isolation classification	Class II
ENEC certificate	No
CE marking	Yes

• Product Data

Order code	930453 30
Full product code	871150093045330
Full product name	LED Driver Outdoor 12W/0.35A-33V 230V
Order product name	LED Driver Outdoor 12W/0.35A-33V 230V
Pieces per pack	1
Packing configuration	10
Packs per outerbox	10

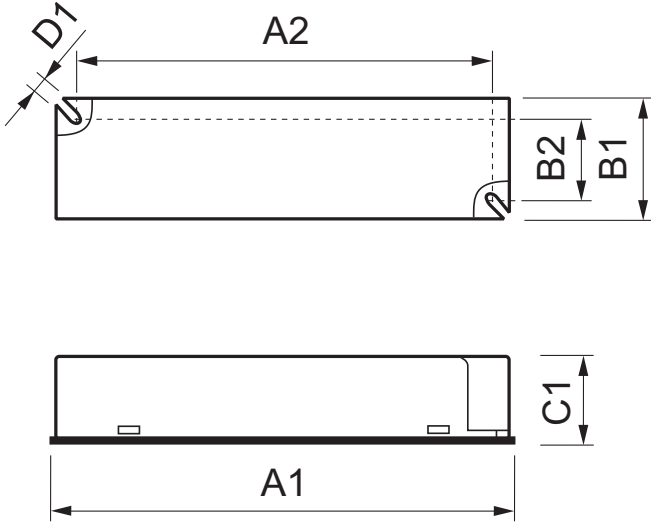
PHILIPS

Xtanium Constant Current Outdoor

Bar code on pack - EAN1 8711500930453
 Bar code on outerbox - EAN3 8711500930460

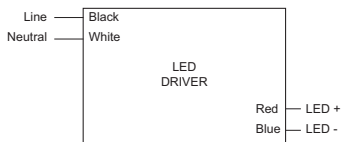
Logistic code(s) - 12NC 913700615882
 Net weight per piece 0.169 kg

Dimensional drawing



LED Driver Outdoor 12W/0.35A-33V 230V

Product	A1 (Norm)	A2 (Norm)	B1 (Norm)	B2 (Norm)	C1 (Norm)	D1 (Norm)
LED Driver Outdoor 12W/0.35A-33V 230V	132	122.4	34.2	24.6	25	4.5



LED Driver Outdoor 12 & 17W



©2019 Signify Holding, IBRS 10461, 5600 VB, NL. All rights reserved.

The information provided herein is subject to change without notice. Signify does not give any representation or warranty as to the accuracy or completeness of the information included herein and shall not be liable for any action in reliance thereon. The information presented in this document is not intended as any commercial offer and does not form part of any quotation or contract, unless otherwise agreed by Signify.

Philips and the Philips Shield Emblem are registered trademarks of Koninklijke Philips N.V. All other trademarks are owned by Signify Holding or their respective owners.

Date of release: February 27, 2019 v2

www.philips.com/oem