

LED Fortimo High Bay Module User Manual

Please read these instructions carefully before attempting to install this product.

It is advisable to keep these instructions in a safe place for future reference.

The light source contained in this luminaire shall only be replaced by the manufacturer, service agent or a similar qualified person.

The external flexible cable or cord of this luminaire cannot be replaced; if the cord is damaged, the luminaire shall be discarded.

IF IN DOUBT, CONSULT A QUALIFIED ELECTRICIAN.

LED Fortimo High Bay Modules

1. Model list

Model	Fortimo High Bay Module 24KLM	Fortimo High Bay Module 20KLM	Fortimo High Bay Module 15KLM; Fortimo High Bay Module 10KLM
			

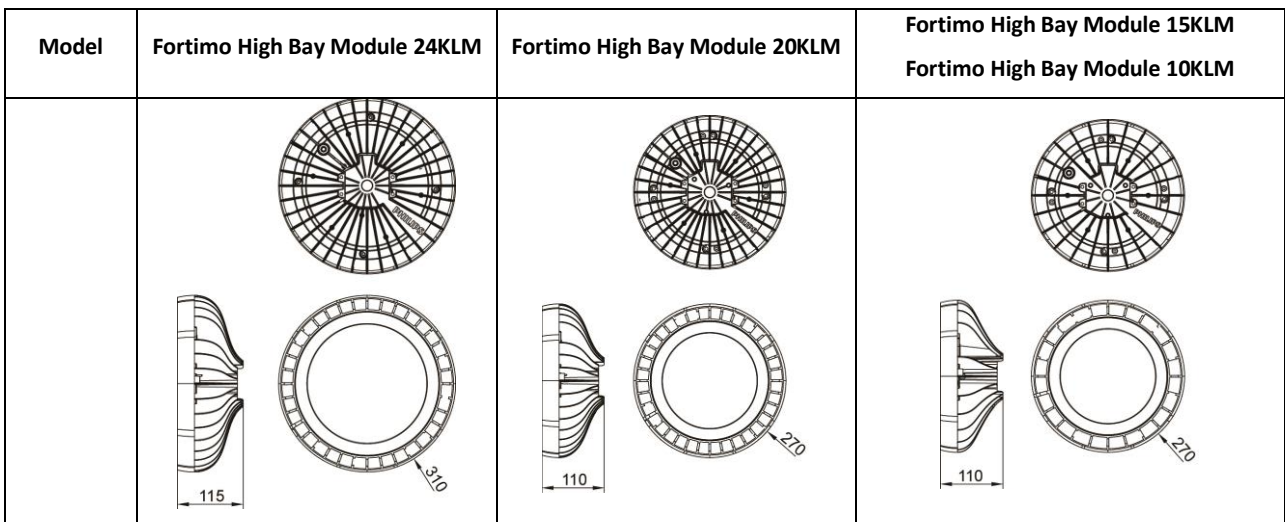
2. Electrical Performance

Model	Fortimo High Bay Module 24KLM	Fortimo High Bay Module 20KLM	Fortimo High Bay Module 15KLM	Fortimo High Bay Module 10KLM
Nom. Consumption Power (W)	166	135	100	71
Typ. Input Voltage (V)	157	129	95	68
Input Current (A)	1.05			
IP Degree	IP65			
Class	Class I			
Operating	-30°C to +50°C			

temperature range	
-------------------	--

3. Mechanical information

Model	Fortimo High Bay Module 24KLM	Fortimo High Bay Module 20KLM	Fortimo High Bay Module 15KLM	Fortimo High Bay Module 10KLM
Diameter (mm)	310	270	270	270
Thickness (mm)	115	110	110	110
Net (kg)	3.5	2.7	2.2	2.2

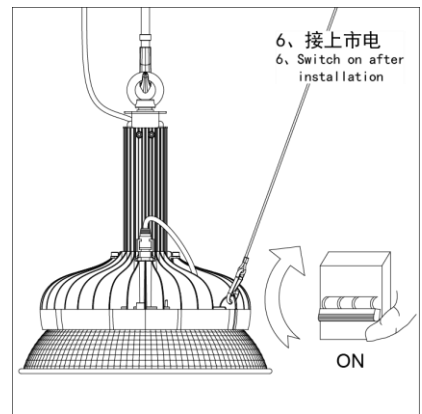
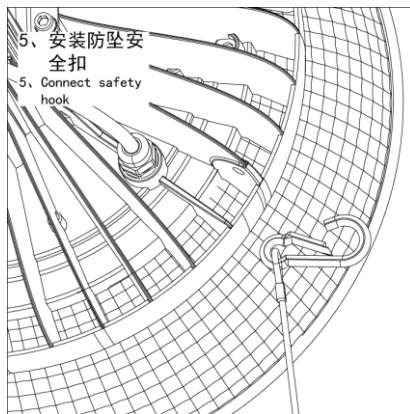
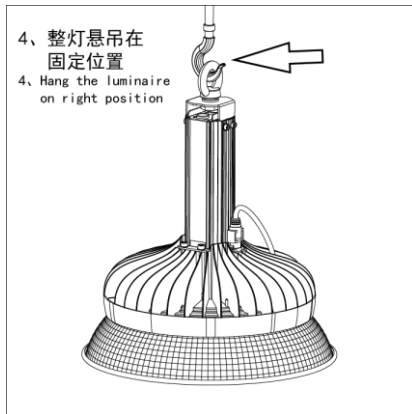
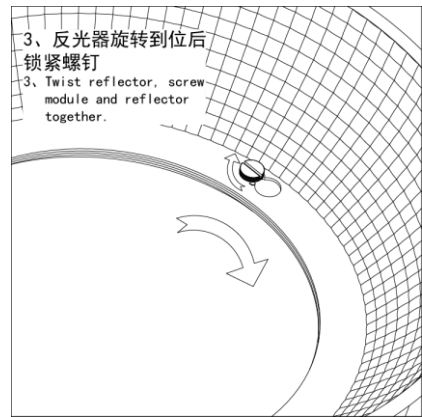
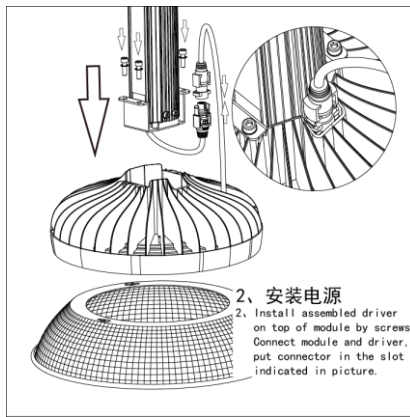
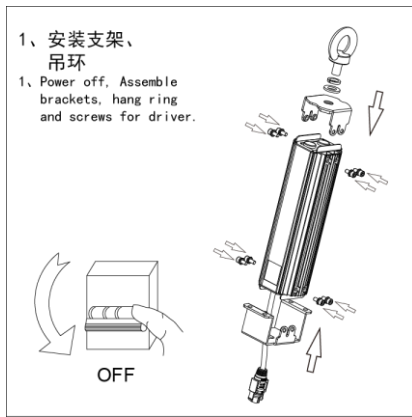


4. Installation requirements :

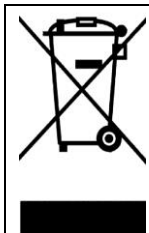
- This is a LED High Bay Module for built-in use. A LED Driver with isolated output should be used. Output parameters of the Driver are listed in the table above. The output wire of the Driver should have a connector that is suitable for this Module.

Model	Fortimo High Bay Module 24KLM	Fortimo High Bay Module 20KLM	Fortimo High Bay Module 15KLM	Fortimo High Bay Module 10KLM
Nom. Consumption Power (W)	166	135	100	71
Typ. Input Voltage (V)	157	129	95	68
Input Current (A)	1.05			

- The light source contained in this luminaire shall only be replaced by the manufacturer, service agent or a similar qualified person.



(English version)



This marking indicates that this product should not be disposed with other household wastes throughout the EU. To prevent possible harm to the environment or human health from uncontrolled waste disposal, recycle it responsibly to promote the sustainable reuse of material resources. To return your used device, please use the return and collection systems or contact the retailer where the product was purchased. They can take this product for environmental safe recycling.

Philips Lighting (China) Investment Co., Ltd.

Building 9, Lane 888, Tianlin Road, Minhang District, Shanghai City, P.R.China