



# Product Description

## Gear for SDW-T lamps

CSLS electronic control unit with impregnated (HID "BASIC") or encapsulated (HID "Heavy Duty") electromagnetic ballasts

### Benefits

- Electronic control unit ensures reliable starting and stabilizes lamp power for optimum performance (minimum colour deviation)
- Simple installation and cabling

### Features

- Ballasts and electronic control units equipped with screw terminal blocks; other contact possibilities for
- Earthing-while-mounting facility (HID 'BASIC' ballasts), separate earth terminal (HID 'Heavy Duty' )

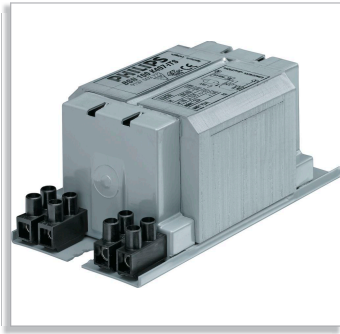
### Application

- Similar to those of the related lamps
- Climatic suitability:
  - CSLS + HID "BASIC": restricted to built-in situations under normal conditions
  - CSLS + HID "Heavy Duty": use in luminaires under humid conditions (not drip-proof)

### Warnings and Safety

- Climatic suitability CSLS and HID BASIC: restricted to built in situations under normal conditions
- Climatic suitability CSLS and HID Heavy Duty: use in luminaires under humid conditions (not drip-proof)

Related products

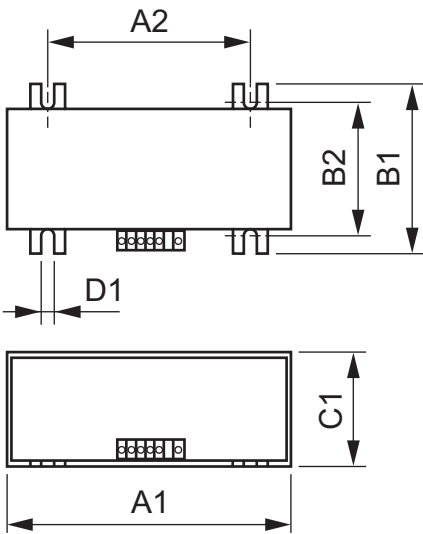


BSL 100 K307-TS BC1-118



CSLS 100 Controller

Dimensional drawing

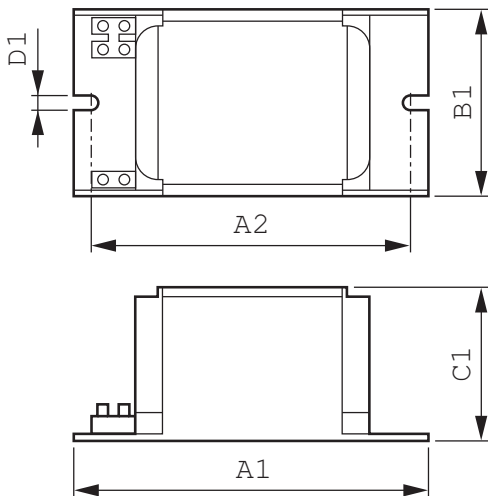


CSLS 100 SDW-T 220-240V 50/60Hz

Product	A1 (Norm)	A2 (Norm)	B1 (Norm)	B2 (Norm)	C1 (Norm)	D1 (Norm)
CSLS 100 SDW-T 220-240V 50/60Hz	98.0	70.0	58.5	46.0	39.5	4.5

BSL 100 K307-TS 230/240V 50Hz BC1-118

Product	A1 (Norm)	A2 (Norm)	B1 (Norm)	C1 (Norm)	D1 (Norm)
BSL 100 K307-TS 230/240V 50Hz BC1-118	123.0	98.0	61.0	52.0	6.2

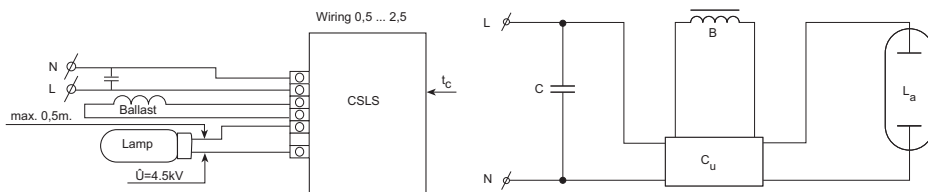


General Characteristics

Order code	Full product name	Rated Lamp-type	Rated Number of Lamps	Rated Ballast-Lamp Power	Line Voltage	Line Frequency
940589 00	BSL 100 K307-TS 230/240V 50Hz BC1-118	-	1 piece	100	230/240 V	50 Hz

Order code	Full product name	Rated Lamp-type	Rated Number of Lamps	Rated Ballast-Lamp Power	Line Voltage	Line Frequency
908704 30	CSLS 100 SDW-T 220-240V 50/60Hz	SDW-T	1 piece	100	220-240 V	50/60 Hz

Wiring data



© 2015 Koninklijke Philips N.V. (Royal Philips)  
All rights reserved.

Specifications are subject to change without notice. Trademarks are the property of Koninklijke Philips N.V. (Royal Philips) or their respective owners.

[www.philips.com/lighting](http://www.philips.com/lighting)

2015, March 26  
data subject to change