

Long-lasting, reliable solution

HID-Basic BSN/BMH semi-parallel for SON/CDO/CDM/MH/HPI

Impregnated electromagnetic copper ballasts for use with an external semi-parallel ignitor for CDM, CDO, MH, HPI (Plus) and SON lamps

Benefits

- Long-lasting reliable solution protected from overheating
- Minimal watt losses thanks to orthocyclic winding process
- Control gear can be installed remotely

Features

- All ballasts are equipped with ThermoSwitch for protection against end-of-lamp-life phenomena
- Ballast can also be used in combination with series (superimposed) ignitor
- Equipped with screw terminal blocks as standard; insert contacts available upon request
- Earthing-while-mounting facility
- Ballasts for alternative mains voltages/frequencies available upon request

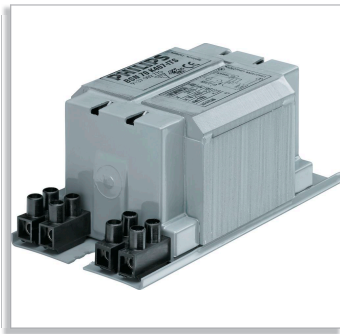
Application

- Outdoor lighting
- Horticulture

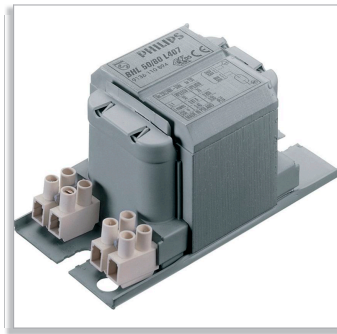
System

- Electromagnetic system requires ballast, ignitor and capacitor
- Semi-parallel circuit: if ballasts with “L” in their description (e.g. BSN 100 L307...) are used, SN(D)... ignitors are required; if ballasts with “K” in their description (e.g. BSN 100 K307...) are used, SK(D)... ignitors are required. Capacitor value to match system power can be found on lamp/ballast combination sheet
- Series circuit: all ballasts are designed to work with series ignitors
- No ignitor needed for SON-I lamps

Related products



BMH 70 K302, K407 & K427 ITS

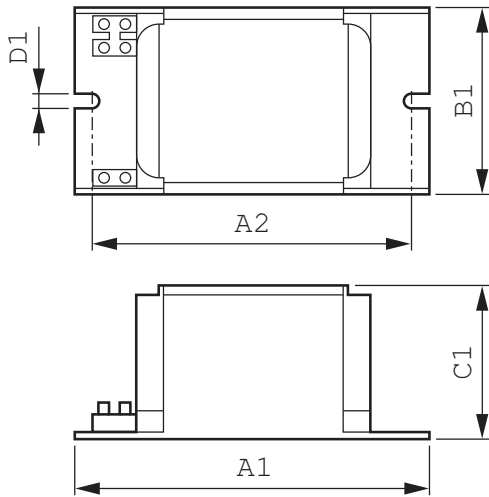


BMH 35 K302, K407 & K427 ITS



BSN 150/100 & 150 BC2-126/134

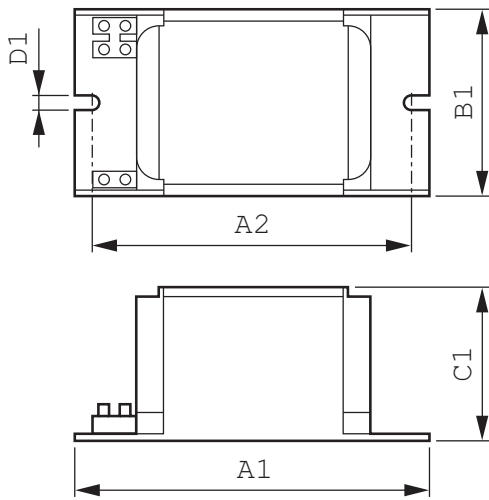
Dimensional drawing



BMH 35 K407-ITS 230/240V 50Hz BC1-118

| Product | A1 (Norm) | A2 (Norm) | B1 (Norm) | C1 (Norm) | D1 (Norm) |
|--|-----------|-----------|-----------|-----------|-----------|
| BMH 35 K407-ITS 230/240V 50Hz BC1-118 | 118.0 | 94.0 | 61.0 | 52.0 | 6.2 |
| BMH 70 K407-ITS 230/240V 50Hz BC1-118 | 118.0 | 98.0 | 61.0 | 53.0 | 6.2 |

Dimensional drawing



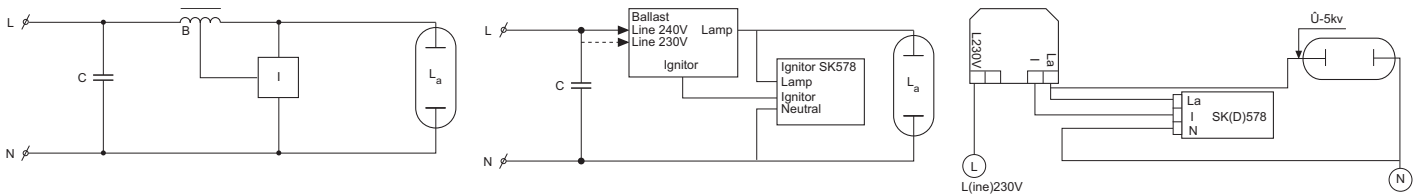
BSN 150 K302-I 230V 50Hz BC2-126

| Product | A1 (Norm) | A2 (Norm) | B1 (Norm) | C1 (Norm) | D1 (Norm) |
|--------------------------|-----------|-----------|-----------|-----------|-----------|
| BSN 150 K302-I 230V 50Hz | 126.0 | - | 76.0 | 65.0 | - |
| BC2-126 | | | | | |

General Characteristics

| Order code | Full product name | Application code | Rated Lamp-type | Rated Number of Lamps | Rated Ballast-Lamp Power | Line Voltage | Line Frequency |
|------------|---------------------------------------|------------------|-----------------|-----------------------|--------------------------|--------------|----------------|
| 940275 00 | BMH 70 K407-ITS 230/240V 50Hz BC1-118 | K407-ITS | CDM | 1 piece | 70 | 230/240 V | 50 Hz |
| 940213 00 | BMH 35 K407-ITS 230/240V 50Hz BC1-118 | K407-ITS | CDM | 1 piece | 35 | 230/240 V | 50 Hz |
| 928273 00 | BSN 150 K302-I 230V 50Hz BC2-126 | K302-I | SON/MH/CDM/CDO | 1 piece | 150 | 230 V | 50 Hz |

Wiring data



© 2015 Koninklijke Philips N.V. (Royal Philips)
All rights reserved.

Specifications are subject to change without notice. Trademarks are the property of Koninklijke Philips N.V. (Royal Philips) or their respective owners.

www.philips.com/lighting

2015, February 20
data subject to change