

Long-lasting, reliable solution

HID-Basic BSN/BMH series for SON/CDO/MH/HPI

Impregnated electromagnetic copper/iron ballasts for use with an external series (superimposed) ignitor for CDO, MH, HPI (Plus) and SON lamps (no ignitor needed for SON-I lamps)

Benefits

- Compact dimensions and light weight
- Simple installation and cabling
- Long lasting reliable solution
- Protected from overheating by thermo switch ensuring longer lifetime

Features

- Minimal watt losses, thanks to orthocyclic winding process
- Equipped as standard with screw terminal blocks; insert contacts on request
- Earthing-while-mounting facility
- Ballasts for alternative mains voltages/frequencies on request
- Ballast to be used with combination with series ignitors

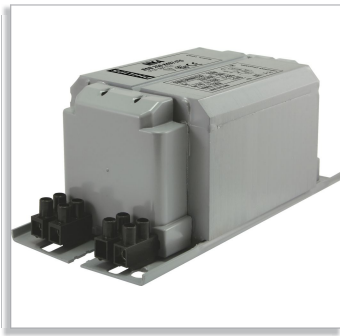
Application

- Recreational sports lighting
- Floodlighting, area lighting and canopy lighting
- Road and residential lighting

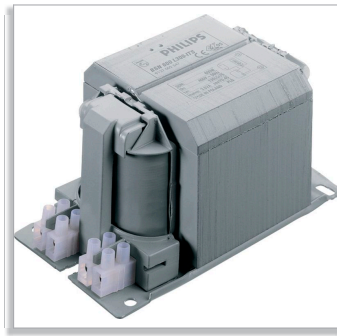
Warnings and Safety

- Climatic suitability: restricted to built-in situations where relative humidity is limited

Related products

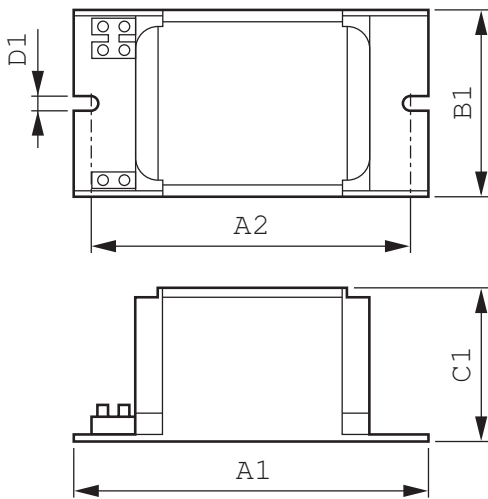


BSN 150/250 & 250 BC2-151/160



BSN 150/250 & 250 BC2-151/160

Dimensional drawing



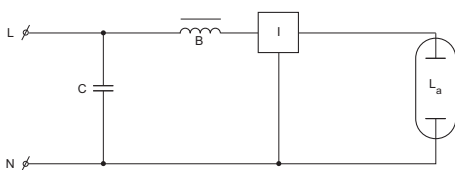
BSN 100 K307-TS-R 230/240V 50Hz BC1-123

Product	A1 (Norm)	A2 (Norm)	B1 (Norm)	C1 (Norm)	D1 (Norm)
BSN 100 K307-TS-R 230/240V 50Hz BC1-123	123.0	98.0	61.0	52.0	-
BSN 150 K307-TS-R 230/240V 50Hz BC2-134	134.0	113.0	76.0	65.0	-
BSN 250 K307-TS-R 230/240V 50Hz BC2-160	160.0	139.0	76.0	65.0	-
BSN 70 K307-TS-R 230/240V 50Hz BC1-118	118.0	-	61.0	52.0	-
BSN 400 K307-TS-R 230/240V 50Hz BC3-166	166.0	144.0	97.0	83.0	6.3

General Characteristics

Order code	Full product name	Application code	Rated Lamp-type	Rated Number of Lamps	Rated Ballast-Lamp Power	Line Voltage	Line Frequency
913700292026	BSN 100 K307-TS-R 230/240V 50Hz BC1-123	K307-TS-R	SON	1 piece	100	230/240 V	50 Hz
913700292126	BSN 150 K307-TS-R 230/240V 50Hz BC2-134	K307-TS-R	SON/MH	1 piece	150	230/240 V	50 Hz
913700292526	BSN 250 K307-TS-R 230/240V 50Hz BC2-160	K307-TS-R	SON/MH/HPI	1 piece	250	230/240 V	50 Hz
913700293126	BSN 70 K307-TS-R 230/240V 50Hz BC1-118	K307-TS-R	SON	1 piece	70	230/240 V	50 Hz
913700293426	BSN 400 K307-TS-R 230/240V 50Hz BC3-166	K307-TS-R	SON/HPI	1 piece	400	230/240 V	50 Hz

Wiring data





© 2014 Koninklijke Philips N.V. (Royal Philips)
All rights reserved.

Specifications are subject to change without notice. Trademarks are the property of Koninklijke Philips N.V. (Royal Philips) or their respective owners.

www.philips.com/lighting

2014, January 16
data subject to change