

Long-lasting, reliable solution

HID-Basic BSN/BMH series multi-wattage for SON/CDO/CDM/MH...

Impregnated electromagnetic copper/iron double-wattage ballasts for use with an external series (superimposed) ignitor for CDO, MH, HPI (Plus) and SON lamps

Benefits

- Up to 40% energy saving using power-reduction controllers
- Minimal watt losses thanks to orthocyclic winding process
- Long-lasting reliable solution protected from overheating

Features

- Possibility of dimming with an external controller
- Multi-wattage ballasts can be used only in series circuits
- Equipped with screw terminal blocks as standard; insert contacts available upon request
- Earthing-while-mounting facility
- Ballasts for alternative mains voltages/frequencies available upon request

Application

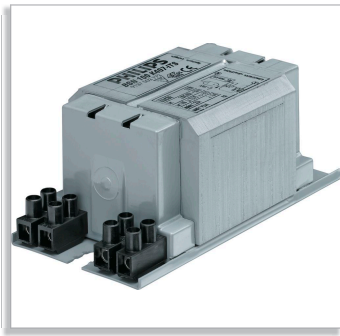
- Outdoor lighting

System

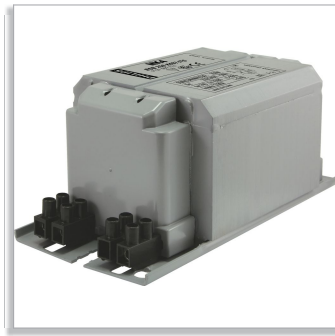
- Electromagnetic system requires ballast, ignitor and capacitor
- Series circuit: all ballasts are designed to work with series ignitors – SUD...(Philips) or any other series ignitors

PHILIPS

Related products

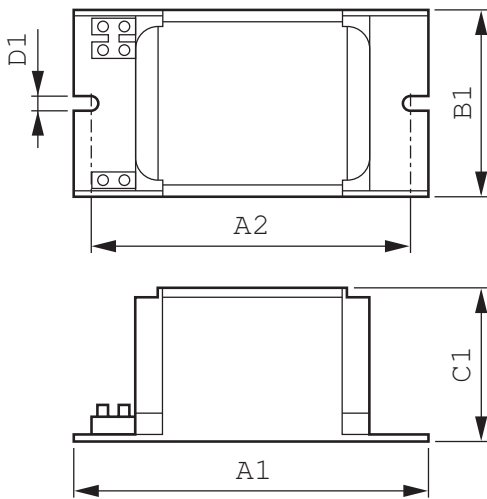


BSN 50/70, 70/100 & 100 BC1-118/123



BSN 50/70, 70/100 & 100 BC1-118/123

Dimensional drawing



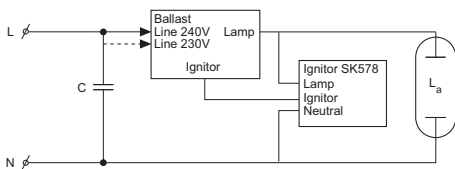
BSN 150/250 K407-TS 230/240V 50Hz

Product	A1 (Norm)	A2 (Norm)	B1 (Norm)	C1 (Norm)	D1 (Norm)
BSN 150/250 K407-TS 230/240V 50Hz	160.0	139.0	76.0	65.0	6.2
BSN 150/100 K407-TS 230/240V 50Hz	134.0	113.0	76.0	65.0	6.3

General Characteristics

Order code	Full product name	Application code	Rated Lamp-type	Rated Number of Lamps	Rated Ballast-Lamp Power	Line Voltage	Line Frequency
940688 00	BSN 150/100 K407-TS 230/240V 50Hz	K407-TS	SON/CDO	1 piece	150/100	230/240 V	50 Hz
940923 00	BSN 150/250 K407-TS 230/240V 50Hz	K407-TS	SON/CDO	1 piece	150/250	230/240 V	50 Hz

Wiring data





© 2015 Koninklijke Philips N.V. (Royal Philips)
All rights reserved.

Specifications are subject to change without notice. Trademarks are the property of Koninklijke Philips N.V. (Royal Philips) or their respective owners.

www.philips.com/lighting

2015, March 6
data subject to change