

Long-lasting, reliable solution

HID-Basic BSX for SOX

Impregnated electromagnetic copper/iron ballasts for use with an external ignitor for SOX and SOX-E lamps

Benefits

- Compact dimensions and lightweight – easy to fit in linear luminaires
- Simple installation
- Long-lasting reliable solution protected from overheating

Features

- Based on magnetic fluorescent ballast design
- Equipped with double-insert contacts
- Minimal watt losses thanks to orthocyclic winding process
- Ballasts for alternative mains voltages/frequencies available upon request

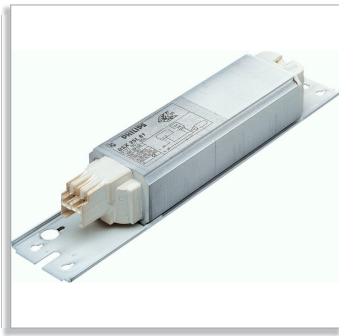
Application

- Outdoor lighting (most popular application: road lighting)

System

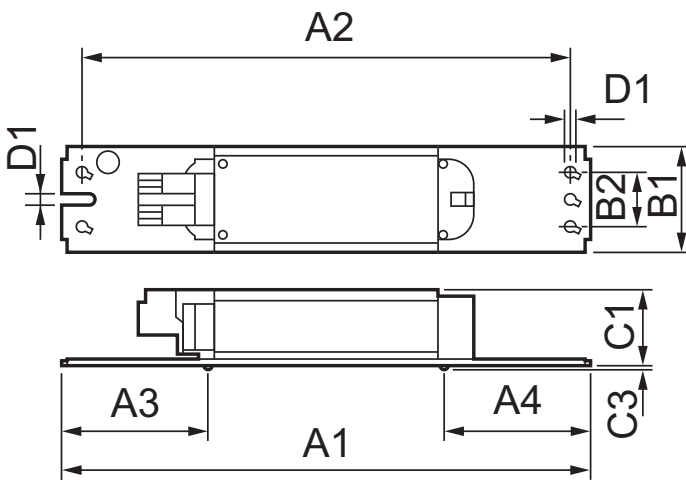
- Electromagnetic system requires ballast, ignitor and capacitor
- To be used with relevant SX.. ignitor. Capacitor value to match system power can be found on lamp/ballast combination sheet
- Climatic suitability: restricted to built-in situations where relative humidity is limited

Related products



BSX BC0-196, BC0-155 & with bracket

Dimensional drawing



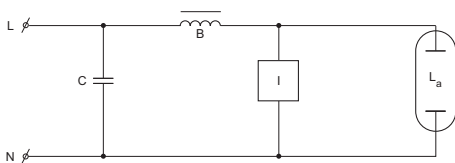
BSX 35/55 L82 240V 50Hz BC0-196

Product	A1 (Norm)	A2 (Norm)	A3 (Norm)	A4 (Norm)	B1 (Norm)	B2 (Norm)	C1 (Norm)	C3 (Norm)	D1 (Norm)
BSX 35/55 L82 240V 50Hz BC0-196	196.0	180.0	54.0	54.0	39.0	20.0	28.0	1.5	4.2
BSX 35/55 L82 240V 50Hz WITH BRACKET	196.0	180.0	54.0	54.0	39.0	20.0	28.0	1.5	4.2

General Characteristics

Order code	Full product name	Application code	Rated Lamptype	Rated Number of Lamps	Rated Ballast-Lamp Power	Line Voltage	Line Frequency
913700200926	BSX 35/55 L82 240V 50Hz BC0-196	L82	SOX	1 piece	35/55	240 V	50 Hz
913700279926	BSX 35/55 L82 240V 50Hz WITH BRACKET	L82	SOX	1 piece	35/55	240 V	50 Hz

Wiring data





© 2015 Koninklijke Philips N.V. (Royal Philips)
All rights reserved.

Specifications are subject to change without notice. Trademarks are the property of Koninklijke Philips N.V. (Royal Philips) or their respective owners.

www.philips.com/lighting

2015, April 28
data subject to change