



# Product Description

## HID-DynaVision Control for SON

HID-DynaVision Controller in combination with electromagnetic systems for SON lamp and continuous dimming

### Benefits

- Up to 65% energy savings
- Continuous dimming systems based on 250W and 400W SON electromagnetic gear
- Easy to be added to existing luminaires
- Constant lamp power for wide mains overvoltage range

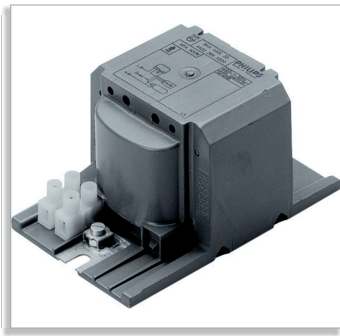
### Features

- Dimming down to 35% system power
- 1-10V input for dim-control signal
- No cable-length restrictions
- Power control at all dimming levels
- Aluminium house, M8 stud for mounting, screw connectors for wiring

### Application

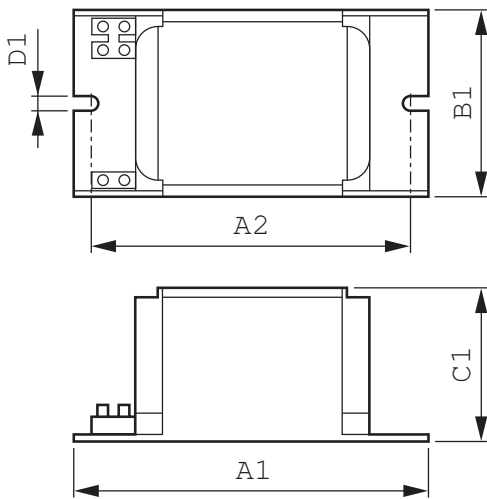
- Floodlighting
- Area lighting
- Road lighting
- Highway

Related products



BSH BC1-118 & HD1-118

Dimensional drawing



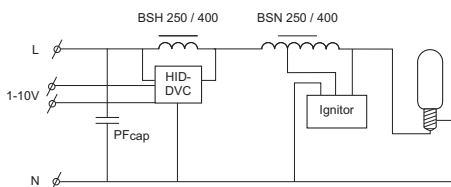
BSH 2540 K3067 220-240V 50/60Hz BC1-118

Product	A1 (Norm)	A2 (Norm)	B1 (Norm)	C1 (Norm)	D1 (Norm)
BSH 2540 K3067 220-240V 50/60Hz BC1-118	118.0	94.0	61.0	52.0	6.2

General Characteristics

Order code	Full product name	Application code	Rated Lamp-type	Rated Number of Lamps	Rated Ballast-Lamp Power	Line Voltage	Line Frequency
913700286626	BSH 2540 K3067 220-240V 50/60Hz BC1-118	K3067	SON	1 piece	2540	220-240 V	50/60 Hz

Wiring data





© 2015 Koninklijke Philips N.V. (Royal Philips)  
All rights reserved.

Specifications are subject to change without notice. Trademarks are the property of Koninklijke Philips N.V. (Royal Philips) or their respective owners.

[www.philips.com/lighting](http://www.philips.com/lighting)

2015, October 5  
data subject to change