

Long-lasting, reliable solution

HID-HeavyDuty BSN semi-parallel for SON/CDO/MH/HPI

Encapsulated electromagnetic copper/iron ballasts for use with an external semi-parallel ignitor for CDM, CDO, MH, HPI (Plus) and SON lamps

Benefits

- Excellent resistance to chemical impact, humid conditions and environmental stress crack
- Long-lasting reliable solution – outstanding product lifetime of 15 years average
- Minimal watt losses thanks to orthocyclic winding process
- Control gear can be installed remotely

Features

- Encapsulated with thermoplastic polyester resin, reinforced with glass fiber
- Equipped with screw terminal blocks as standard; insert contacts available upon request
- Ballasts for alternative mains voltages/frequencies available upon request
- Separate earth terminal (HID 'Heavy Duty')

Application

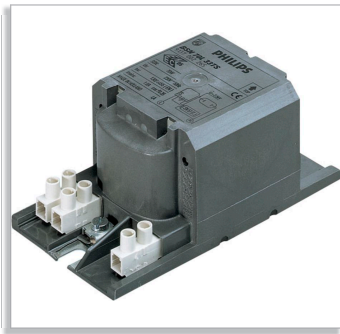
- Outdoor lighting (most popular application: road and tunnel lighting)

System

- Electromagnetic system requires ballast, ignitor and capacitor
- Semi-parallel circuit: if ballasts with "L" in their description (e.g. BSN 100 L307...) are used, SN(D)... ignitors are required; if ballasts with "K" in their description (e.g. BSN 100 K307...) are used, SK(D)... ignitors are required. Capacitor value to match system power can be found on lamp/ballast combination sheet
- Series circuit: all ballasts are designed to work with series ignitors
- No ignitor needed for SON-I lamps

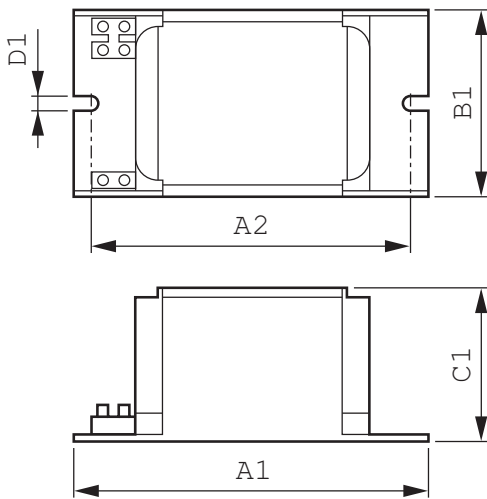
PHILIPS

Related products



BSN HD1-118/123,
HD2-126/134/151/160 & HD3-166

Dimensional drawing



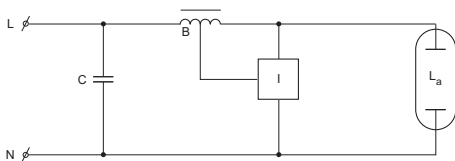
HID-HeavyDuty BSN 150 L34-TS 240V 50Hz HD2-134

Product	A1 (Norm)	A2 (Norm)	B1 (Norm)	C1 (Norm)	D1 (Norm)
BSN 150 L34-TS 240V 50Hz HD2-134	134.0	115.5	81.0	66.0	6.2
BSN 70 L34-TS 240V 50Hz HD1-118	118.0	103.0	65.0	53.0	6.2
BSN 100 L34-TS 240V 50Hz HD1-123	123.0	108.0	65.0	53.0	6.2
BSN 400 L33-TS 230V 50Hz HD3-166	166.0	147.5	102.0	84.0	6.2
BSN 400 L34-TS 240V 50Hz HD3-166	166.0	147.5	102.0	84.0	6.2

General Characteristics

Order code	Full product name	Application code	Rated Lamp-type	Rated Number of Lamps	Rated Ballast-Lamp Power	Line Voltage	Line Frequency
059628 30	BSN 150 L34-TS 240V 50Hz HD2-134	L34-TS	SON/MH/CDM/CDO	1 piece	150	240 V	50 Hz
059703 31	BSN 70 L34-TS 240V 50Hz HD1-118	L34-TS	SON/CDO	1 piece	70	240 V	50 Hz
059741 31	BSN 100 L34-TS 240V 50Hz HD1-123	L34-TS	SON/CDO	1 piece	100	240 V	50 Hz
059765 30	BSN 400 L33-TS 230V 50Hz HD3-166	L33-TS	SON/HPI	1 piece	400	230 V	50 Hz
059789 30	BSN 400 L34-TS 240V 50Hz HD3-166	L34-TS	SON/HPI	1 piece	400	240 V	50 Hz

Wiring data





© 2015 Koninklijke Philips N.V. (Royal Philips)
All rights reserved.

Specifications are subject to change without notice. Trademarks are the property of Koninklijke Philips N.V. (Royal Philips) or their respective owners.

www.philips.com/lighting

2015, June 1
data subject to change