

# Long-lasting, reliable solution

## HID-HeavyDuty BSX for SOX

Encapsulated electromagnetic copper/iron ballasts for SOX and SOX-E lamps

### Benefits

- Excellent resistance to chemical impact, humid conditions and environmental stress crack
- Long-lasting reliable solution – outstanding product lifetime of 15 years average
- Minimal watt losses thanks to orthocyclic winding process
- Control gear can be installed remotely

### Features

- Encapsulated with thermoplastic polyester resin, reinforced with glass fiber
- Equipped with screw terminal blocks as standard; insert contacts available upon request
- Ballasts for alternative mains voltages/frequencies available upon request
- Separate earth terminal (HID 'Heavy Duty')

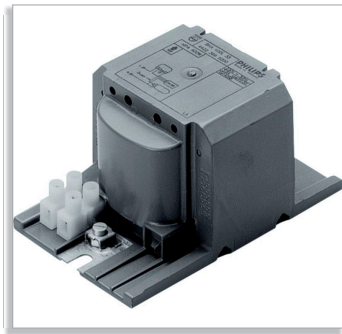
### Application

- Outdoor lighting

### System

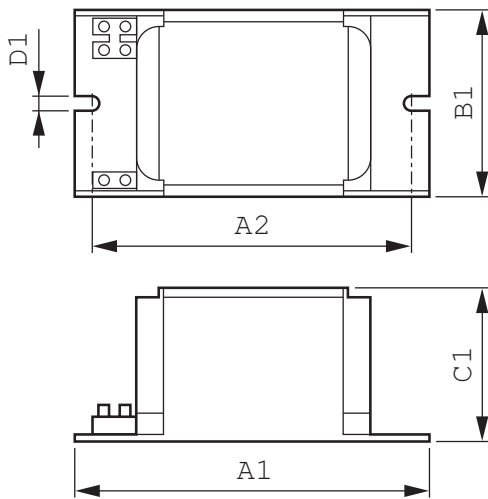
- Electromagnetic system requires ballast, ignitor and capacitor
- To be used with the relevant SX.. ignitor. Capacitor value to match system power can be found on lamp/ballast combination sheet

Related products



BSX HD1-118

Dimensional drawing



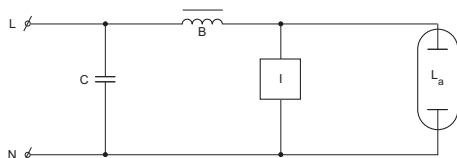
HID-HeavyDuty BSX 90 L40 230V 50Hz HD1-118

Product	A1 (Norm)	A2 (Norm)	B1 (Norm)	C1 (Norm)	D1 (Norm)
BSX 90 L40 230V 50Hz HD1-118	118.0	103.0	65.0	53.0	6.2
BSX 90 L32 240V 50Hz HD1-118	118.0	103.0	65.0	53.0	6.2

General Characteristics

Order code	Full product name	Application code	Rated Lamp-type	Rated Number of Lamps	Rated Ballast-Lamp Power	Line Voltage	Line Frequency
913650080426	BSX 90 L40 230V 50Hz HD1-118	L40	SOX	1 piece	90	230 V	50 Hz
913650080526	BSX 90 L32 240V 50Hz HD1-118	L32	SOX	1 piece	90	240 V	50 Hz

Wiring data





© 2013 Koninklijke Philips N.V. (Royal Philips)  
All rights reserved.

Specifications are subject to change without notice. Trademarks are the property of Koninklijke Philips N.V. (Royal Philips) or their respective owners.

[www.philips.com/lighting](http://www.philips.com/lighting)

2013, November 21  
data subject to change