

# Product Description

Powerswitch for EM systems for SON

Power-switches with internal timer for HID PS 400 T5 /  
HID PS R 400 T5

## Benefits

- Outstanding product lifetime -15 years in average
- Simple installation and cabling
- Minimal watt losses, thanks to orthocyclic winding process
- Protected from overheating by thermo switch ensuring longer lifetime
- Narrow cross-section is ideal for pole-mounting

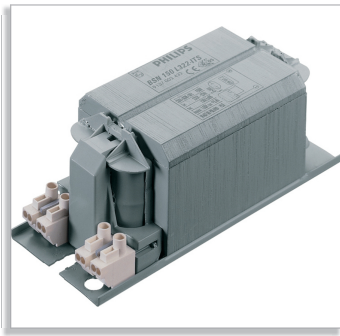
## Features

- Excellent resistance to chemical impact, humid conditions and high environmental stress crack resistance
- Class I rated (i.e. with earthing facility)
- Both single-phase (220-230-240V) and 3-phase (380-400-415V) versions
- Equipped as standard with screw terminal blocks; insert contacts on request
- Separate earth terminal (HID 'Heavy Duty')
- Ballasts for alternative mains voltages/frequencies on request

## Application

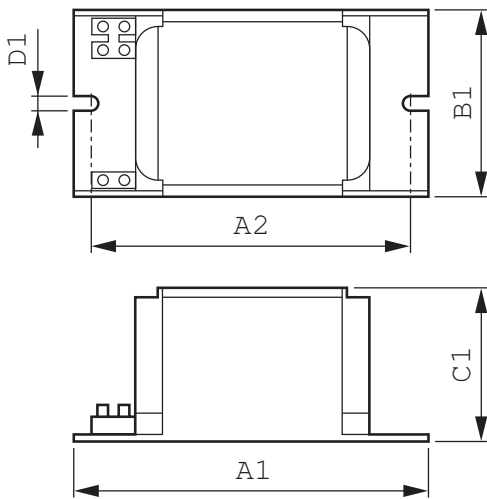
- Suitable for high-pressure sodium SON 70, 100, 150, 250 and 400W

Related products



BSD BC1-118, BC2-160 & BC3-166

Dimensional drawing



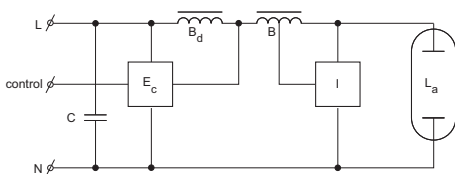
BSD 70/100/150 K4010 220-240V 50Hz

Product	A1 (Norm)	A2 (Norm)	B1 (Norm)	C1 (Norm)	D1 (Norm)
BSD 70/100/150 K4010 220-240V 50Hz	118.0	93.0	60.0	51.0	6.2

General Characteristics

Order code	Full product name	Application code	Rated Lamp-type	Rated Number of Lamps	Rated Ballast-Lamp Power	Line Voltage	Line Frequency
913700286526	BSD 70/100/150 K4010 220-240V 50Hz	K4010	SON	1 piece	70/100/150	220-240 V	50 Hz

Wiring data





© 2014 Koninklijke Philips N.V. (Royal Philips)  
All rights reserved.

Specifications are subject to change without notice. Trademarks are the property of Koninklijke Philips N.V. (Royal Philips) or their respective owners.

[www.philips.com/lighting](http://www.philips.com/lighting)

2014, February 21  
data subject to change