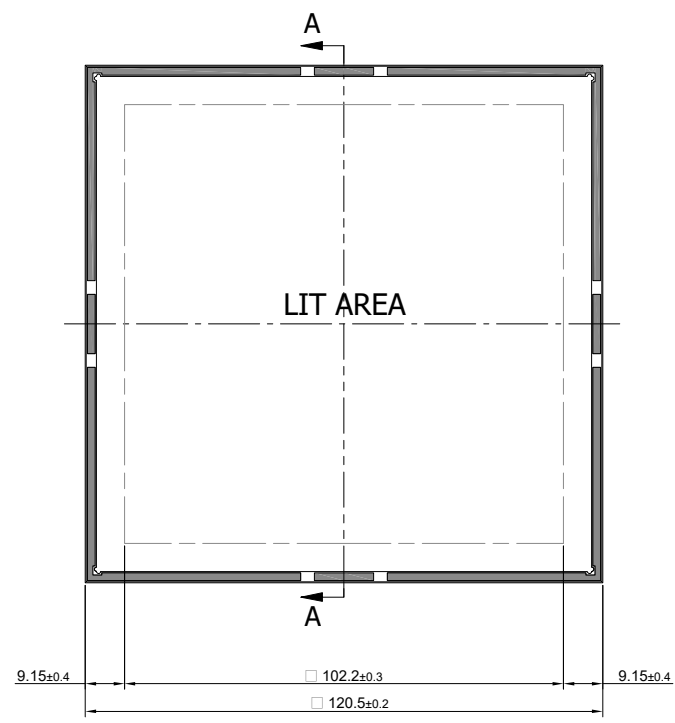


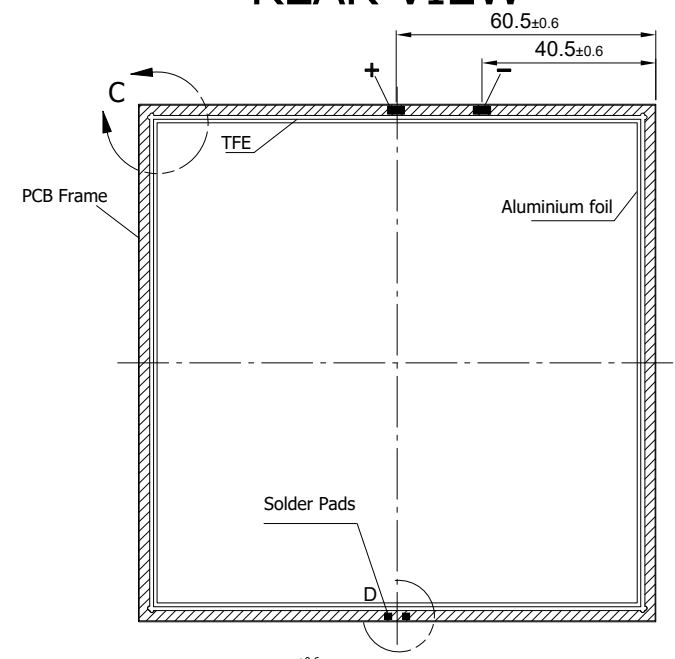
1 2 3 4 5 6 7 8

# FRONT VIEW

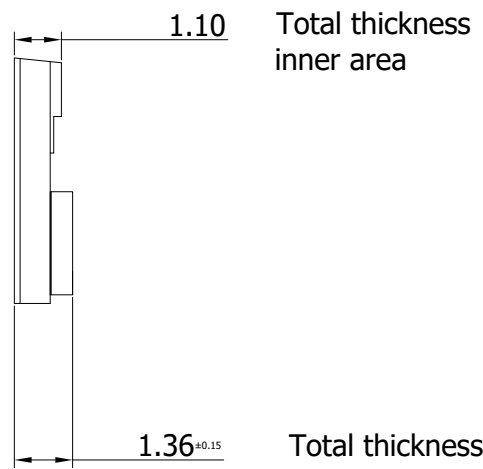


SECTION A-A  
SCALE 1:1

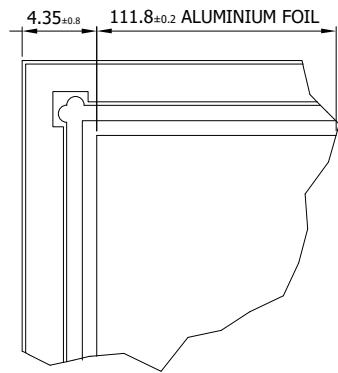
# REAR VIEW



DETAIL D SCALE 3:1



DETAIL B SCALE 10:1



DETAIL C SCALE 4:1

All rights are reserved. Reproduction in whole or in part is prohibited without the written consent of the copyright owner.

REVISION		REVISION INFORMATION	
1	Th. Hoegen	Adaptations for Brite 2 panel (derived from Brite1 drawing); changes: solder pads and lit area	
TOLERANCES UNLESS OTHERWISE STATED		ISO 1101/5459	
ISO 1302	ISO 12865	DIMENSION	ANGLE
GENERAL ROUGHNESS		TOLERANCES ACCORDING TO NORM	
UNIT: mm		NORMAL CLASS, IF NOT NOTICED [X.X]: CONTROL DIMENSION	
SCALE		ORDER NO.	
PROJ. EUROP.		QUANT.	
TREATMENT			
CLASS No.		2016/05/24	
OLED Panel Brite 2 FL300 "XX"		"XX":	
N W/O Rset Level 1		WW = LPB2300S1WWL101	
		NW = LPB2300S1NWL101	
NAME Th. Hoegen		SH. 1	
SUPERS		SH. -1	
CHECK		DATE 2016/05/24	
PROPERTY OF: ©		Copyright OLEDWORKS LLC	
		B3	