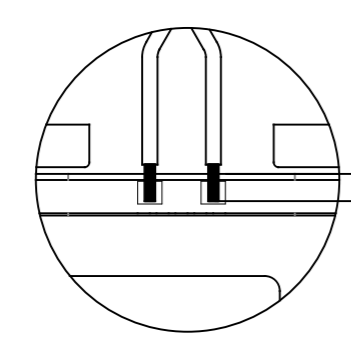


© All rights are reserved. Reproduction in whole or in part without the written consent of the copyright owner.

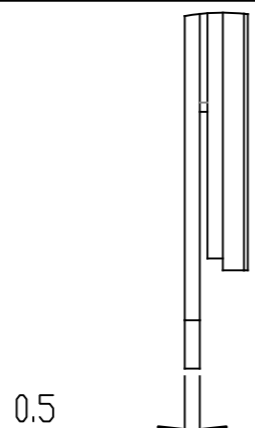
<b>PHYSICAL INFO</b> VOLUME: Error: No reference TOTAL AREA: Error: No reference GENERAL THICKNESS: mm DRAFT ANGLE: ° GENERAL RADIUS: mm FLATNESS: mm	<b>GENERAL NOTES</b> - SHAPE DEFINED IN THE LINKED 3D MODEL - NO MODIFICATIONS WITHOUT DEVELOPMENT AGREEMENT - REF. MARKING FOR DIE CASTED AND PLASTIC PARTS: LAST 5 DIGIT OF 12NC, WITH LAST DIGIT SLIDING - MAXIMUM THICKNESS INCREASE IN MARKING AREA 0.5 MM - NO BURRS, NO SHRINK MARKS, NO JUNCTION LINES - PARTS MUST BE SAFE FOR HANDLING - *ROHS COMPLIANT, EU DIR 2011/65/EU*	<b>ADDITIONAL INFO</b>
---	--	------------------------

<b>REVISION</b> SYM:  Th. Hoegen	<b>REVISION INFORMATION</b>
-------------------------------------	-----------------------------

 ISO 1302 ISO 12805 .. Ra in µm	TOLERANCES UNLESS OTHERWISE STATED +/- 0.2 DIMENSION	ISO 1101/5459 	ITEM	ASSEMBLY NO.	QUANT.
<b>GENERAL ROUGHNESS</b>  UNIT: mm MATERIAL:	TOLERANCES ACCORDING TO NORM				
<b>SCALE</b> PROJ. EUROP. 	TREATMENT 	NORMAL CLASS, IF NOT NOTICED (XX,X) + CONTROL DIMENSION			
CLASS No.	ORDER NO.	QUANT.			



DETAIL A  
SCALE 2 : 1



DETAIL B  
SCALE 4 : 1

NAME: Th. Hoegen CHECK:	SUPERS:	SH:	SH:	PROPERTY OF: © OLEDWORKS LLC	A 2016/05/24 B C	A3
----------------------------	---------	-----	-----	------------------------------	------------------------	----