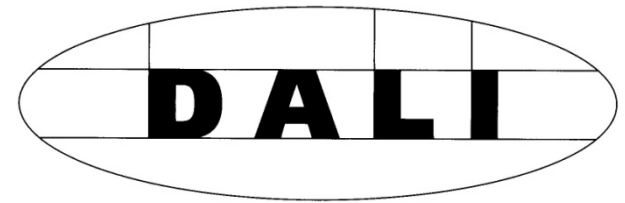


PHILIPS

sense and simplicity

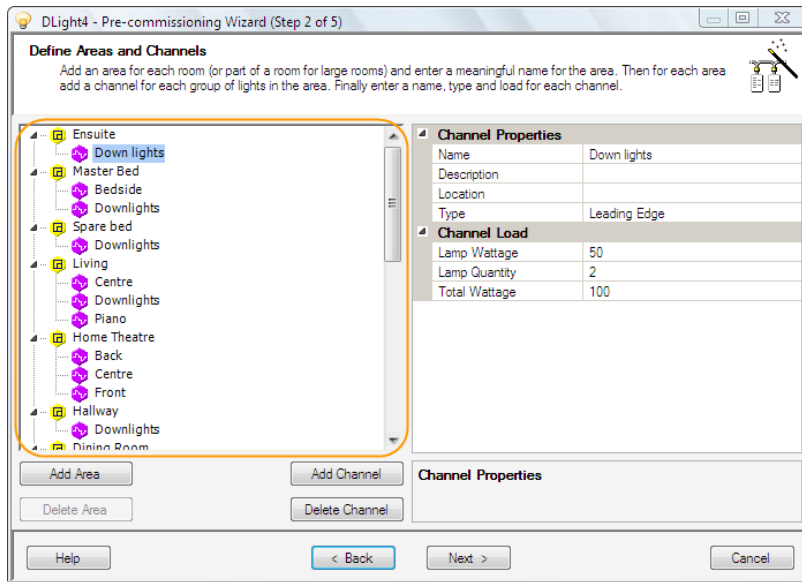
Alternative commissioning
method for
AspiraVision DALI drivers



April 2011

STEP: 1

Program short-address in all drivers, via the DALI-controller*



* AspiraVision DALI drivers work with all DALI compliant controllers

STEP: 2

Switch-off all lamps and wait 15 minutes for lamps to cool down



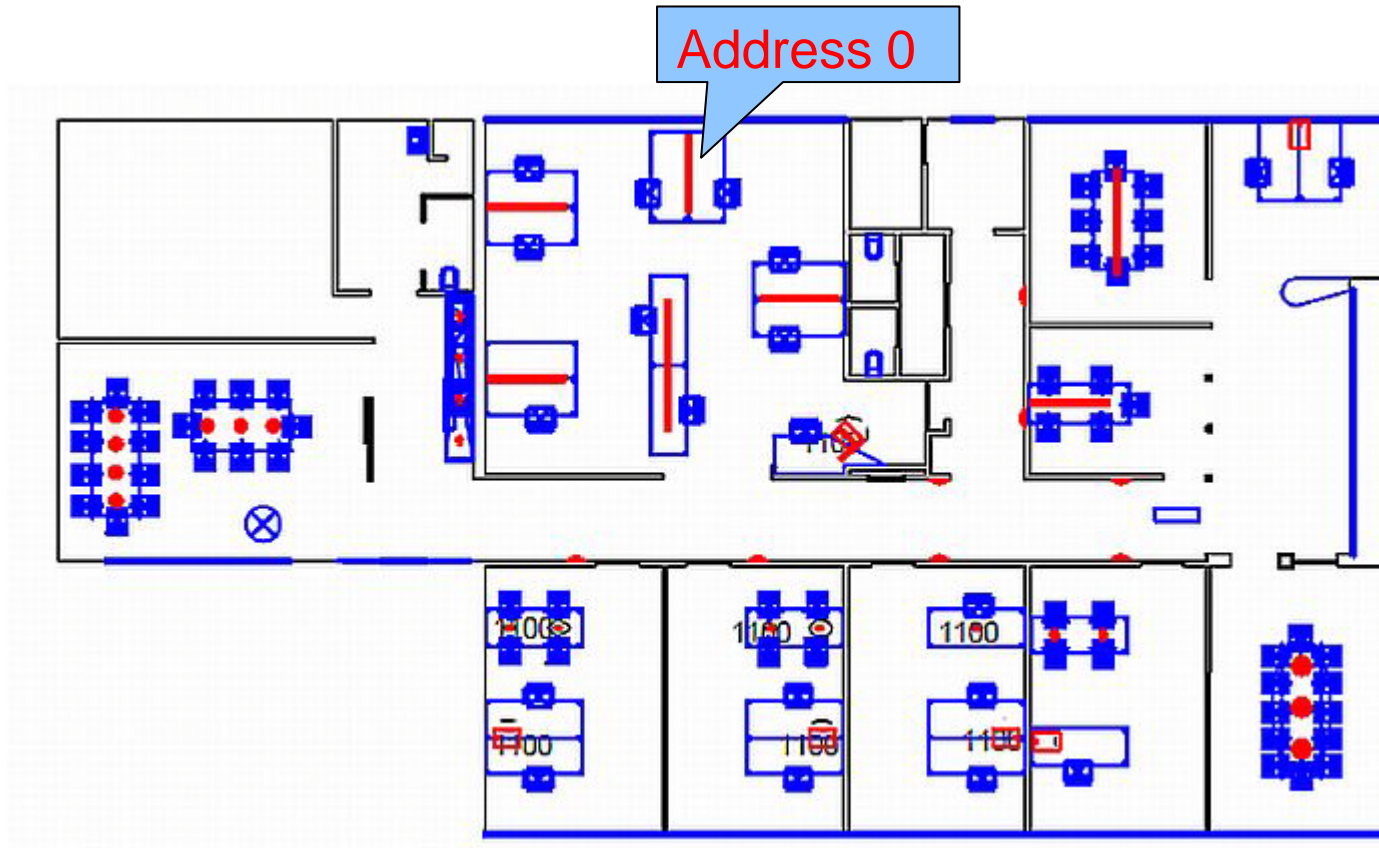
STEP: 3

Switch-on driver with address 0 (lowest address) and locate the lamp



STEP: 4

Mark address of driver and lamp on map



STEP: 5

Switch-off driver with address 0 (lowest address)



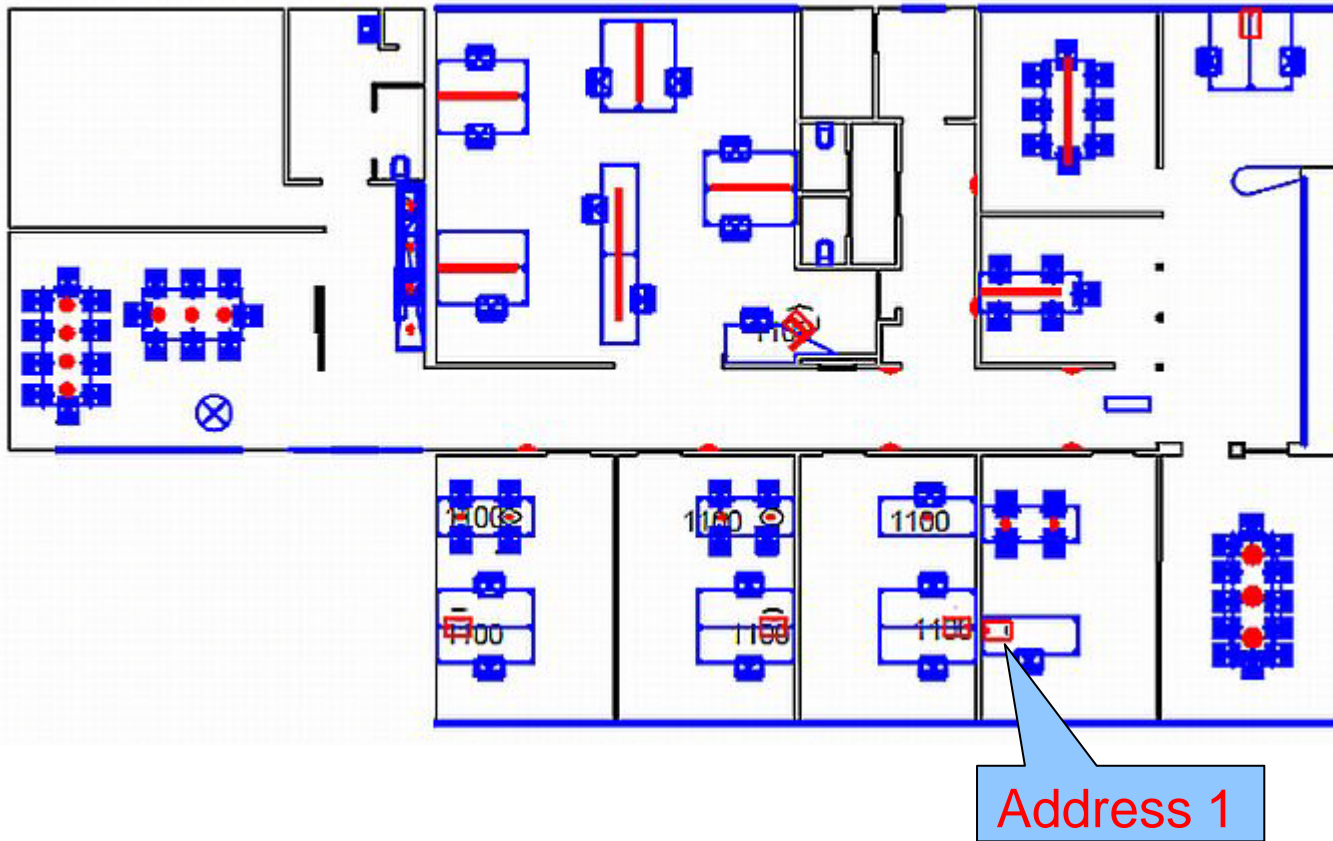
STEP: 6

Switch-on driver with address 1 and locate the lamp



STEP: 7

Mark address of driver and lamp on map



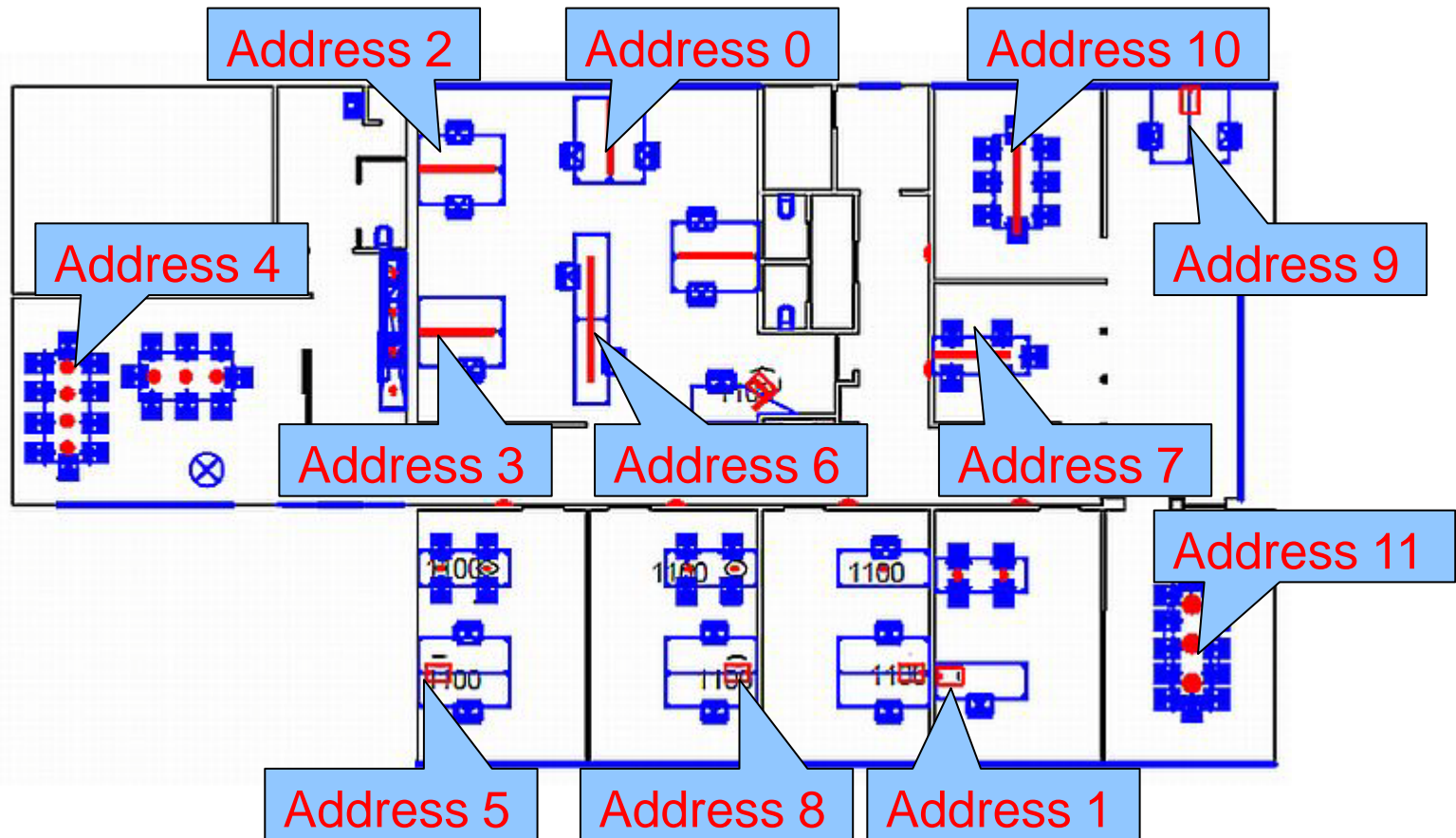
STEP: 8

Switch-off driver with address 1



STEP: 9

Repeat step 6-8 until all lamps are located and marked on map



STEP: 10

Group the lamps according light plan. Create scenes and required dim-levels.

