

**PHILIPS**

Xitanium

Accessory



## Datasheet

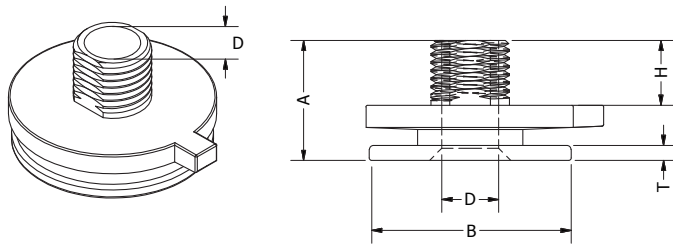
### Nipple

#### Enabling Use of Track adapter driver

The “/a” proposition is the unique offering to address miniaturization trend in Philips point driver portfolio. The “Track adapter” family is being extended with new ranges and new derivatives every day to make it suitable both for different applications and also for different segment needs.

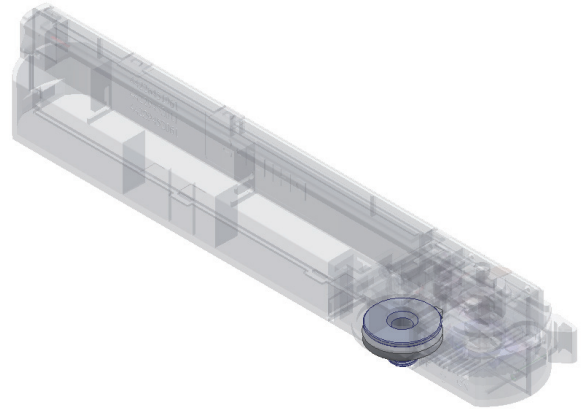
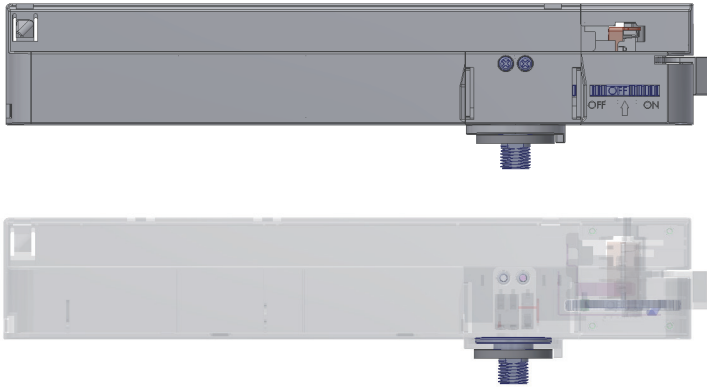
Now these ranges can be adapted for use in track light applications by the use of a nipple that can be ordered separately, as an accessory\*. This will ensure that the driver is thermally protected and safe to use in ceilings\*\*.





### Dimensions (mm)

Thread	A	B	D	H	T
M10x1	16.8	24.9	6.9	9.8	1.85



\* It is suitable for the Xitanium track adapter 1C driver and Xitanium track adapter 3C driver.

\*\*It can support the torque no more than 3Nm.

### Logistical data

Product name	Logistical code 12NC	Colour	Package (sets)
Nipples X1 white	929001476806	Aluminium /White	400
Nipples X1 grey	929001477006	Aluminium /Grey	400
Nipples X1 black	929001476906	Aluminium /Black	400

### Compatible driver list

Xitanium track adaptor drivers 1 Circuit		Xitanium track adaptor drivers 3 Circuit	
9290 014 96980	Xitanium 10W/a 0.2/0.25A 40V 1CB 230V	9290 014 76006	Xitanium 10W/a 0.2/0.25A 40V 3CB 230V
9290 014 97380	Xitanium 10W/a 0.2/0.25A 40V 1CG 230V	9290 014 76406	Xitanium 10W/a 0.2/0.25A 40V 3CG 230V
9290 014 96580	Xitanium 10W/a 0.2/0.25A 40V 1CW 230V	9290 014 75606	Xitanium 10W/a 0.2/0.25A 40V 3CW 230V
9290 014 97080	Xitanium 20W/a 0.35/0.5A 40V 1CB 230V	9290 014 76106	Xitanium 20W/a 0.35/0.5A 40V 3CB 230V
9290 014 97480	Xitanium 20W/a 0.35/0.5A 40V 1CG 230V	9290 014 76506	Xitanium 20W/a 0.35/0.5A 40V 3CG 230V
9290 014 96680	Xitanium 20W/a 0.35/0.5A 40V 1CW 230V	9290 014 75706	Xitanium 20W/a 0.35/0.5A 40V 3CW 230V
9290 014 97180	Xitanium 32W/a 0.7/0.8A 40V 1CB 230V	9290 014 76206	Xitanium 32W/a 0.7/0.8A 40V 3CB 230V
9290 014 97580	Xitanium 32W/a 0.7/0.8A 40V 1CG 230V	9290 014 76606	Xitanium 32W/a 0.7/0.8A 40V 3CG 230V
9290 014 96780	Xitanium 32W/a 0.7/0.8A 40V 1CW 230V	9290 014 75806	Xitanium 32W/a 0.7/0.8A 40V 3CW 230V
9290 014 97280	Xitanium 42W/a 0.9/1.05A 40V 1CB 230V	9290 014 76306	Xitanium 42W/a 0.9/1.05A 40V 3CB 230V
9290 014 97680	Xitanium 42W/a 0.9/1.05A 40V 1CG 230V	9290 014 76706	Xitanium 42W/a 0.9/1.05A 40V 3CG 230V
9290 014 96880	Xitanium 42W/a 0.9/1.05A 40V 1CW 230V	9290 014 75906	Xitanium 42W/a 0.9/1.05A 40V 3CW 230V



© 2019 Signify Holding, IBRS 10461, 5600VB, NL. All rights reserved.

The information provided herein is subject to change, without notice. Signify does not give any representation or warranty as to the accuracy or completeness of the information included herein and shall not be liable for any action in reliance thereon. The information presented in this document is not intended as any commercial offer and does not form part of any quotation or contract, unless otherwise agreed by Signify. Philips and the Philips Shield Emblem are registered trademarks of Koninklijke Philips N.V. All other trademarks are owned by Signify Holding or their respective owners.

Date of release: June 18, 2019

[www.philips.com](http://www.philips.com)