

An anti-glare CDM lamp with Elite properties...



## Introducing the new generation MASTERColour CDM-R111 Elite 930

**MASTERColour CDM-R111 Elite 930 – 35W, 50W, 70W**  
technical datasheet

**PHILIPS**

# MASTERColour CDM-R111 Elite 930 – technical datasheet

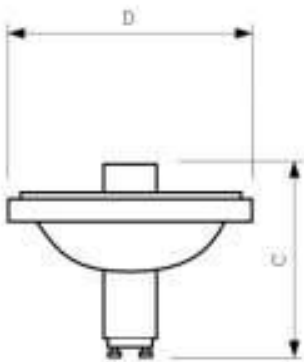
## Features :

- Elite TCO & quality of light:
  - ✓ lumen maintenance 70% @ 12k hrs
  - ✓ lifetime: 12.000 hrs
  - ✓ superior red rendering R9 = 50
- Beautiful reflector design, available in 3 beam angles
- Same dimensions as standard CDM-R111
- GX8.5 lamp foot, twist & lock mechanism
- Anti-glare cap

## Benefits

- Crisp white sparkling light with excellent color rendering makes merchandise look at its best
- High lumen maintenance and extended lifetime enable less relamping
- Easy to change from flood to spot light
- Fits existing CDM-R111 luminaires
- Easy to install, easy to replace
- Preventing people from seeing strong light beam, suitable for open luminaires

## Dimensions



Dimensions lamp mm	C max	D max	Overall Length max
CDM-R111 Elite	95	111	3.75

Lamp dimensions comply with IEC 61167.

## Commercial specifications

	CDM-R111 Elite 35W	CDM-R111 Elite 50W	CDM-R111 Elite 70W
beam intensity 10D (cd)	36.000	46.500	61.000
beam intensity 24D (cd)	8.500	11.000	16.000
beam intensity 40D (cd)	4.500	6.000	8.500
CRI	90	90	90
R9 (red color)	50	55	60
maintenance @ 12.000 hr	75%	75%	75%
survival 50% (hr)	12.000	12.000	12.000
lamp foot	GX8.5	GX8.5	GX8.5
gear compatibility	EL/EM	EL	EL

# MASTERCcolour CDM-R111 Elite 930 – technical datasheet

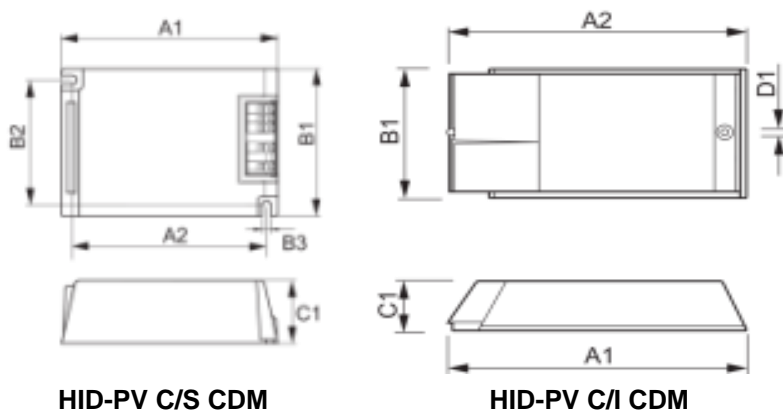
## Comparison between standard CDM-R111 and CDM-R111 Elite

	CDM-R111 70W	CDM-R111 Elite 50W
beam intensity 10D (cd)	50.000	46.500
beam intensity 24D (cd)	15.000	11.000
beam intensity 40D (cd)	8.000	6.000
CRI	85	90
R9	-20	55
maintenance @ 9.000 hr	42%	78%
survival 50% (hr)	9.000	12.000
lamp foot	GX8.5	GX8.5

## System requirements

CDM-R111 Elite 35W/930 can be operated on both electromagnetic and electronic gear. Note that when operating R-111 Elite 35W/930 on EM gear, the lamp lifetime will be reduced to ≈8k hrs.

CDM-R111 Elite 50W/930 & 70W/930 lamps can only be operated on electronic gears. For electronic gears, we advice to use Philips gear like HID-PV, HID-AV ranges for optimal performance



Dimensions gear (mm)	A1	A2	B1	B2	C1	C2	D1
HID-PV C/S CDM	109.6	98.5	74.4	63.7	32.2	-	4.9
HID-PV C/I CDM	188.0	170.0	83.0	-	34.5	-	4.8

# MASTERCcolour CDM-R111 Elite 930 – technical datasheet

## Ordering data

Naming	12nc = GPC	EOC
MASTERCcolour CDM-R111 Elite 35W/930 GX8.5 10D	9281 953 05330	8718 291 6891 8800
MASTERCcolour CDM-R111 Elite 35W/930 GX8.5 24D	9281 954 05330	8718 291 6894 4700
MASTERCcolour CDM-R111 Elite 35W/930 GX8.5 40D	9281 955 05330	8718 291 6895 2200
MASTERCcolour CDM-R111 Elite 50W/930 GX8.5 10D	9281 942 05330	8718 291 1456 1500
MASTERCcolour CDM-R111 Elite 50W/930 GX8.5 24D	9281 943 05330	8718 291 1456 5300
MASTERCcolour CDM-R111 Elite 50W/930 GX8.5 40D	9281 944 05330	8718 291 1456 9100
MASTERCcolour CDM-R111 Elite 70W/930 GX8.5 10D	9281 956 05330	8718 291 6896 2100
MASTERCcolour CDM-R111 Elite 70W/930 GX8.5 24D	9281 957 05330	8718 291 6897 0600
MASTERCcolour CDM-R111 Elite 70W/930 GX8.5 40D	9281 958 05330	8718 291 6897 8200

## Frequently asked questions

### When will this whole new generation lamps be available?

The new portfolio will be commercially available from May 2013.

### When will new lamp samples be available?

CDM-R111 Elite lamp samples will be available in Apr. 2013

### Will Philips keep standard CDM-111 lamps in portfolio?

No, all standard CDM-R111 lamps will be taken out from portfolio by Q1 2014.

### Can these new Elite CDM-R111 lamps retrofit into the existing luminaires?

Yes, the new lamps are compatible with existing luminaires.

### Can the CDM-R111 Elite lamps also run on EM gears?

Yes, but only 35W Elite R111 can be operated on EM gears (same compatibility as CDM-R111 35W/830)

For more information, visit:

[www.philips.com/OEM](http://www.philips.com/OEM)



©2013 Koninklijke Philips Electronics N.V.

All rights reserved. Reproduction in whole or in part is prohibited without the prior written consent of the copyright owner. The information presented in this document does not form part of any quotation or contract, is believed to be accurate and reliable and may be changed without notice. No liability will be accepted by the publisher for any consequence of its use. Publication thereof does not convey nor imply any license under patent- or other industrial or intellectual property rights.

Date of release: 2013-03