

**PHILIPS**

Outdoor SPD

Xtreme  
Surge Protector I



## Datasheet

# Protect your outdoor luminaires against damaging spikes and transients

### Outdoor SPD - Xtreme Surge Protector I

The unique solution for Outdoor lighting systems offering full protection against high surges in insulation Class I installations.

#### Benefits

- Maximize the lifetime of outdoor lighting applications
- Lower maintenance costs
- Easy to apply in new or existing installations

#### Features

- Xtreme standard: long lifetime, robust protection against vibration and temperature
- Provides high surge protection of up to 10 kV / 10 kA for all lighting technologies
- Optical failure indicator

#### Application

- Highways
- Rural roads
- Industrial zones
- Open space parking areas

Insulation Class	Application field					
	TN	TNC	TNS	TNCS	TT	IT
Class I	✓	✓	✓	✓	✓	✓

March 2019



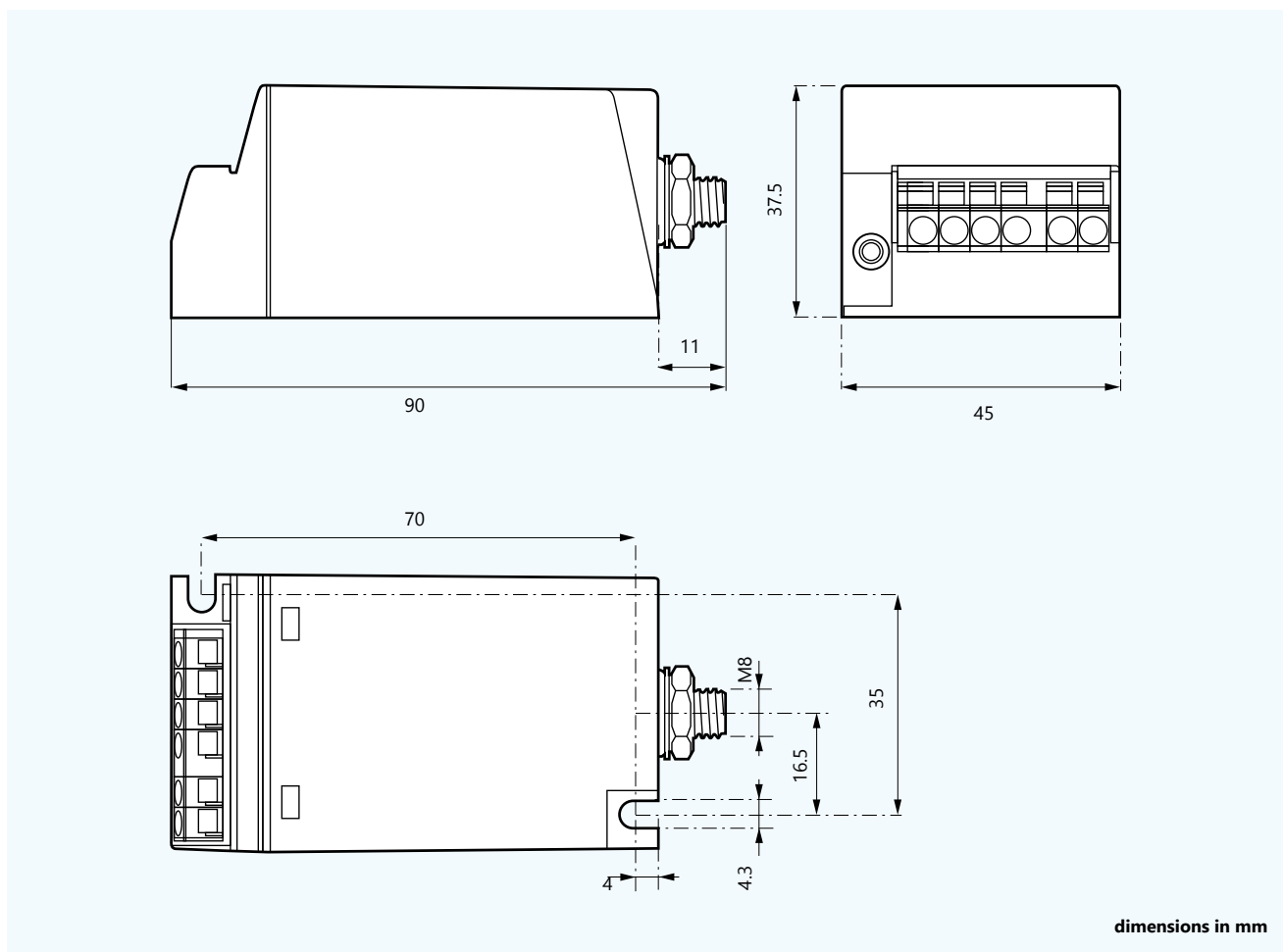
## Environmental conditions

Specification item	Value	Unit	Condition
Ambient temperature	-40...70	°C	
Max. allowable surface temperature	80	°C	
Storage temperature	-40...85	°C	
Relative humidity	5...95	%	Non-condensing
Suitable for outdoor luminaires	Yes		Built-in only

## Lifetime

Specification item	Value	Unit	Condition
Lifetime	100,000	hours	At max. surface temperature, min. 90% survival rate

## Product dimensions



Specification item	Value	Unit
Mounting length	70	mm
Overall length	90	mm
Case Width	45	mm
Case Height	37.5	mm
Fixing hole diameter	M4	
Fixing screw type	M8	
Max. screw torque	0.8	Nm
Weight	66	gr

## Wiring

Specification item	Value	Unit	Condition
Connector type	Push-in		Single wire only
Wire diameter	0.5...2.5	mm <sup>2</sup>	Solid and stranded
Wire strip length	10...11	mm	

## Connection diagram and recommended wiring layout

## Electrical connections

Signal	Description	Color
LINE	Line connection	Black
LINE	Line connection	Black
NEUTRAL	Neutral connection	White
NEUTRAL	Neutral connection	White
GND	Ground connection	Green
GND	Ground connection	Green

Philips is a registered trademark of Koninklijke Philips N.V. All other trademarks are owned by their respective owners.

## Disclaimer

The information provided herein is subject to change without notice. Signify does not give any representation or warranty as to the accuracy or completeness of the information included herein and shall not be liable for any action in reliance thereon. The information presented in this document is not intended as any commercial offer and does not form part of any quotation or contract, unless otherwise agreed by Signify.



©2019 Signify Holding, IBRS 10461, 5600 VB, NL. All rights reserved.

The information provided herein is subject to change without notice. Signify does not give any representation or warranty as to the accuracy or completeness of the information included herein and shall not be liable for any action in reliance thereon. The information presented in this document is not intended as any commercial offer and does not form part of any quotation or contract, unless otherwise agreed by Signify.

Philips and the Philips Shield Emblem are registered trademarks of Koninklijke Philips N.V. All other trademarks are owned by Signify Holding or their respective owners.

Date of release: March 22, 2019 v10

[www.philips.com/oem](http://www.philips.com/oem)

