



Optimal choice for low voltage

Xitanium Constant Current Outdoor

Long-lasting and low maintenance, LED-based light sources are an excellent solution for outdoor environments. For optimal performance, LED luminaires require reliable drivers which match the long lifetime of the LEDs. Xitanium Constant Current Outdoor product family offers a selection of LED drivers with lower output voltages in a range of convenient form-factors and wattages. The Xitanium Outdoor drivers are SELV (Safety Extra Low Voltage) compliant, enabling easy LED light engine design.

Benefits

- SELV operating voltages ensure safety even if wiring or LED boards become damaged
- Excellent reliability
- Wide range of form-factors and wattages to match all application needs

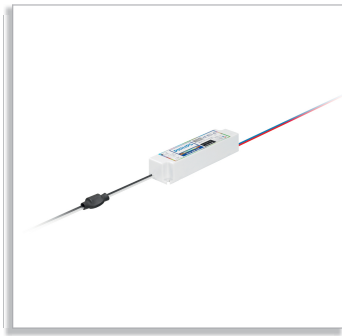
Features

- Portfolio includes wide choice of output current
- Robust protection against moisture and vibration
- Minimum 50,000 h lifetime

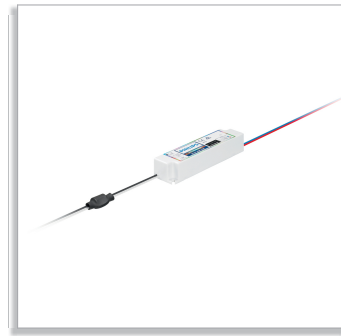
Application

- Signage applications - channel letter and contour lighting
- Architectural lighting
- Emergency and security lighting

Related products

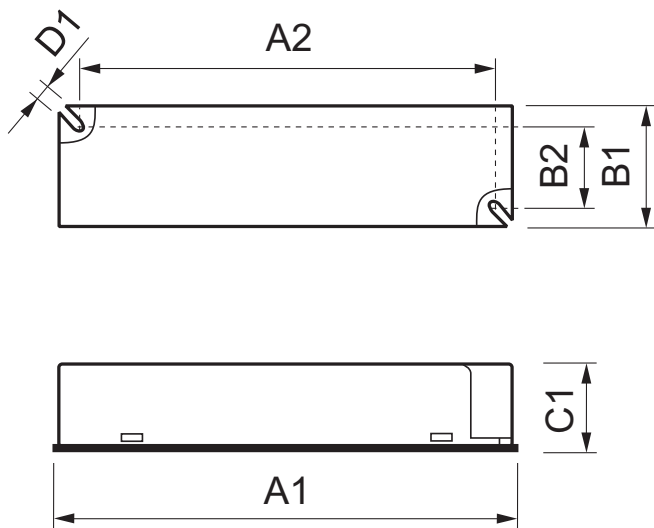


LED Driver Outdoor 17W/0.70A-24V 230V



LED Driver Outdoor 12W/0.35A-33V 230V

Dimensional drawing



LED Driver Outdoor 12W/0.35A-33V 230V

Product	A1 (Norm)	A2 (Norm)	B1 (Norm)	B2 (Norm)	C1 (Norm)	D1 (Norm)
LED Driver Outdoor 12W/0.35A-33V 230V	132	122.4	34.2	24.6	25	4.5
LED Driver Outdoor 17W/0.70A-24V 230V	132	122.4	34.2	24.6	25	4.5

General Characteristics

Order code	Full product name	IP Classification	Lifetime 90% surv.@Tcaselife
913700615982	LED Driver Outdoor 17W/0.70A-24V 230V	IP66	50000 hr
913700615882	LED Driver Outdoor 12W/0.35A-33V 230V	IP66	50000 hr

Order code	Full product name	Output Power Range	Output Voltage Range	Output Current Range (mA)	Type of Dimming
913700615882	LED Driver Outdoor 12W/0.35A-33V 230V	0.9-12.0 W	2.4-33 V	350	None

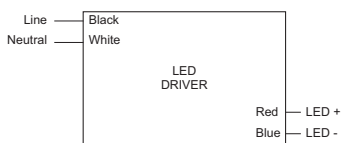
Operating Characteristics

Order code	Full product name	Output Power Range	Output Voltage Range	Output Current Range (mA)	Type of Dimming
913700615982	LED Driver Outdoor 17W/0.70A-24V 230V	5.5-17.2 W	5.6-24.6 V	700	None

Wiring Characteristics

Order code	Full product name	Connection on driver to L2	Input Wire Length	Input Wire Diameter	Output Wire Length
913700615982	LED Driver Outdoor 17W/ 0.70A-24V 230V	Wire	220 mm	0.75 mm ²	220 mm
913700615882	LED Driver Outdoor 12W/ 0.35A-33V 230V	Wire	220 mm	0.75 mm ²	220 mm

Wiring data



LED Driver Outdoor 12 & 17W

Temperature Characteristics

Order code	Full product name	T-case Life-time	T-case maximum	T-ambient	T-Storage
913700615982	LED Driver Outdoor 17W/ 0.70A-24V 230V	75 C	90 (max) C	-40 (min), 60 (max) C	-40 (min), 80 (max) C

Order code	Full product name	T-case Life-time	T-case maximum	T-ambient	T-Storage
913700615882	LED Driver Outdoor 12W/ 0.35A-33V 230V	-	90 (max) C	-40 (min), 60 (max) C	-40 (min), 80 (max) C



© 2019 Signify Holding. All rights reserved. The information provided herein is subject to change, without notice. Signify does not give any representation or warranty as to the accuracy or completeness of the information included herein and shall not be liable for any action in reliance thereon. The information presented in this document is not intended as any commercial offer and does not form part of any quotation or contract, unless otherwise agreed by Signify.

Philips and the Philips Shield Emblem are registered trademarks of Koninklijke Philips N.V. All other trademarks are owned by Signify Holding or their respective owners.

www.philips.com/lighting

2019, January
data subject to change