

## Product Data

Electrical Information	
Input Voltage	Powered by SR driver low-voltage interface
Current Consumption	13 mA
Nominal Power Consumption	200 mW
Standby Power	< 1 W on luminaire level, including driver standby power
Occupancy Sensing	
Type	Passive Infrared (PIR)
Occupancy based control	Default enabled
Occupancy Mode	Auto-on/off, Manual-on/off, Manual-on/auto-off, Red LED indicates "on"
Group Occupancy Sharing	Enabled/disabled
Group Light Behaviour	Background Light Level, Field Task Level
Hold Time	0.5 - 60 minutes
Viewing Angle	X = 72°, Y = 86° ( See detection pattern)
Background Light Level	0-100%
Prolong Time	0 minutes - infinity
Grace Fading	0-25 sec
Response Time/Fading to Switch On/Off	0.7 sec
Daylight Sensing	
Daylight based control	Default enabled
Auto-calibration	Upon power-up
Daylight dependent switching	Default disabled
Daylight dependent override	Default disabled
Viewing Angle	40° (half value sensitivity); 2% cut-off point at 75°
Task Tuning	
Full Light Setting	0-100%
Environment & Approval	
Operating Ambient Temperature Range	0 °C to 55 °C
Operating Humidity	0 - 95% non condensing
Storage Temperature	-25 °C to 85 °C
Storage Humidity	0-95% non condensing
Max Case Temperature (Tcase)	55 °C
Agency Approbations	CE, ENEC, RTTE, EMC
Warranty	5 years warranty for released Philips system combination (sensor and compatible driver). 3 years warranty for sensor only.
Digital Interface	Xitanium SR
Other	
Status Indicators	Red, Yellow, Yellow LED on: Vacancy & Sensor is functional; Red LED on: Motion is detected
Energy reporting	Calculated from last "power on": % On, Energy Consumed (Whr), System on time (hrs), Avg power consumed (w-hr), Lamp on time (hrs)
No. Drivers per Sensor	4 max
Max Distance Switch-to-First-Luminaire	10 m line-of-sight
Max Distance Luminaire-to-Luminaire	12 m line-of-sight
No. Switches per Group	10 max
Field Configuration	via NFC or IR, parameters set via Philips field apps

### Operation and Configuration via Mobile App

EasyAir operates immediately upon installation and energization without further commissioning. If changes from default settings are desired, EasyAir can be configured via an app through NFC or IR embedded within the sensor.



### Compliance to Radio Equipment Directive (RED)

The Directive ensures a single market for Radio and Telecommunication Terminal Equipment by setting harmonized standards for safety and health, electromagnetic compatibility and the efficient use of the radio spectrum. This applies to all products using the radio frequency spectrum. This device is compliant to the underlying harmonized standards which is verified by an independent Notified Body. Any changes or modifications not expressly approved by Philips could void the user's authority to operate this equipment. This product is intended for commercial use only.

© Philips Lighting Holding B.V. 2017. All rights reserved. Philips reserves the right to make changes in specifications and/or to discontinue any product at any time without notice or obligation and will not be liable for any consequences resulting from the use of this publication.

[www.philips.com/technology](http://www.philips.com/technology)

01/2017  
Data subject to change

Document # - 929 000 766 813

PHILIPS

Sensors

EasyAir

office sensor advanced  
grouping SNS200



## Quick Installation Guide

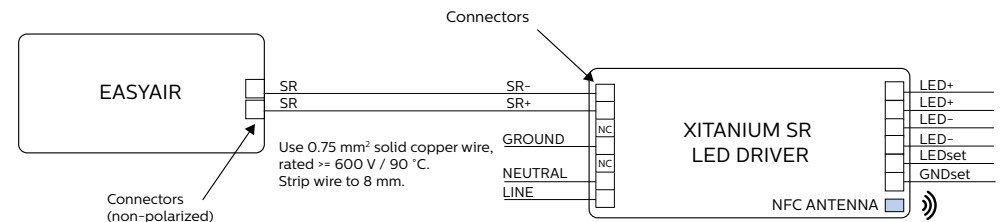
# EasyAir office sensor advanced grouping SNS200

### Ordering data

Commercial product name	EOC	Carton Quantity
EasyAir office sensor advanced grouping SNS200	8718696 698945 00	50 pcs/carton

### Compatible LED Drivers

Logistic code 12NC	Description
929001516306	Xitanium 36W 0.3-1A 54V SR 230V
929001505006	Xitanium 75W 0.7-2.0A 54V SR 230V

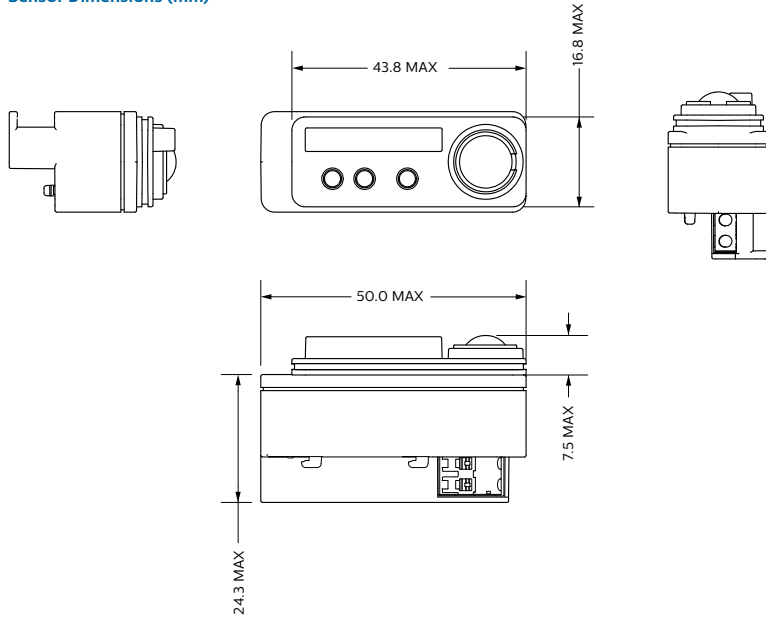


Januari 2017

<sup>1</sup> View limited warranty at: [http://images.philips.com/is/content/PhilipsConsumer/PDFDownloads/Global/ODL120150105\\_001-UPD-en\\_GB-152795-PHI-component\\_warranty-HR.PDF](http://images.philips.com/is/content/PhilipsConsumer/PDFDownloads/Global/ODL120150105_001-UPD-en_GB-152795-PHI-component_warranty-HR.PDF)

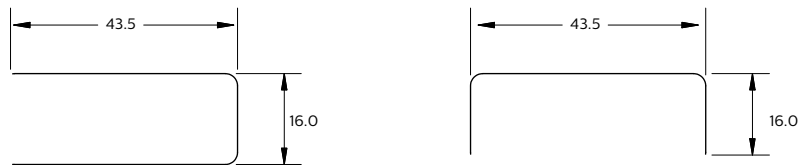
## EasyAir office sensor

### Sensor Dimensions (mm)

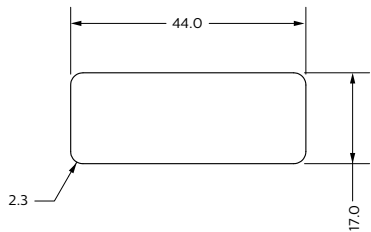


### Mounting Dimensions (mm)

Mounting in U-shaped slot in sheet metal (max thickness 1 mm)

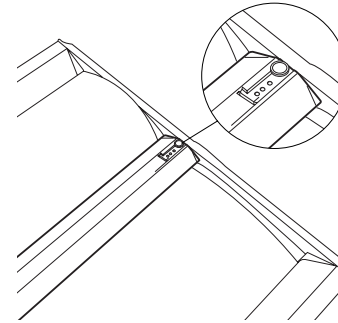


Mounting in cut-out in sheet metal (thickness 0.7 mm to 1.2 mm)

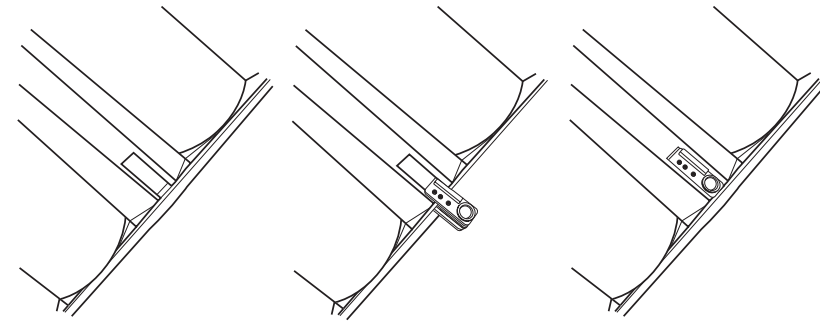


## EasyAir office sensor

### Luminaire with EasyAir installed



### Mounting in a slot



### Mounting in SMB-50 bracket

All dimensions in mm.

