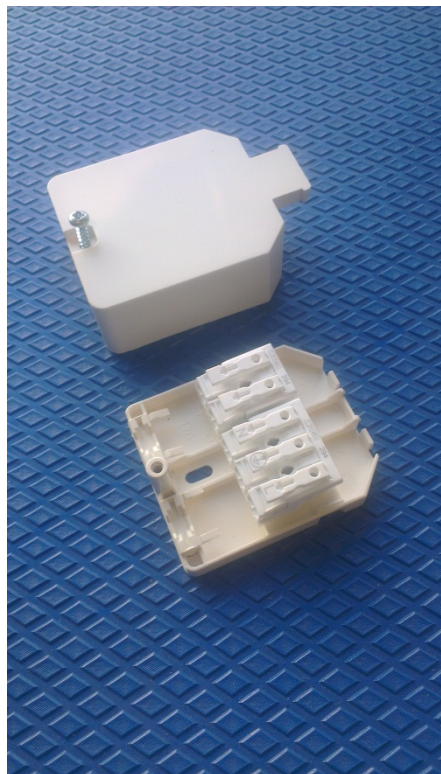


Xitanium LH housing – Loop through adapter

March 23, 2015



Benefits

The Philips Xitanium Loop through adapter enables loop through functionality for mains and DALI wiring.

Although Philips Xitanium LH drivers do not need a connection to the safety earth, earth parking is provided in the Xitanium Loop through adapter enabling easy installing in the final application.

The embedded strain relief can handle cable diameters up to 10mm diameter.

Application

- suitable for all new design Xitanium LH LED drivers

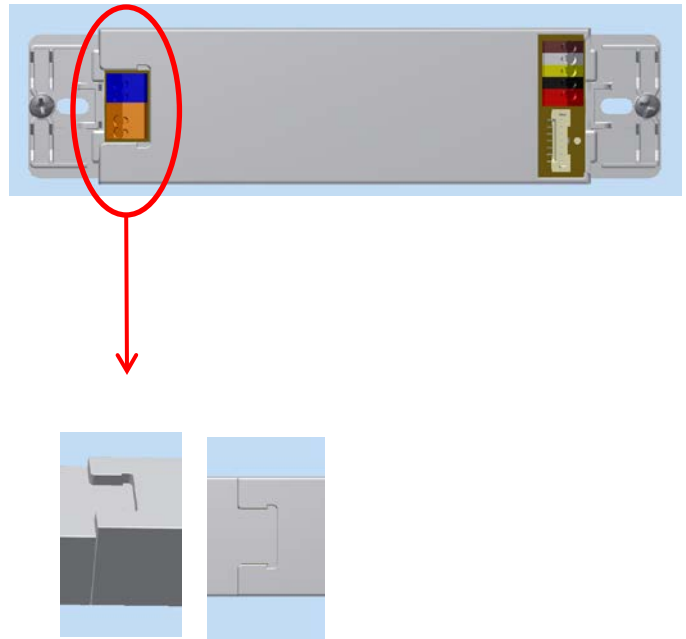
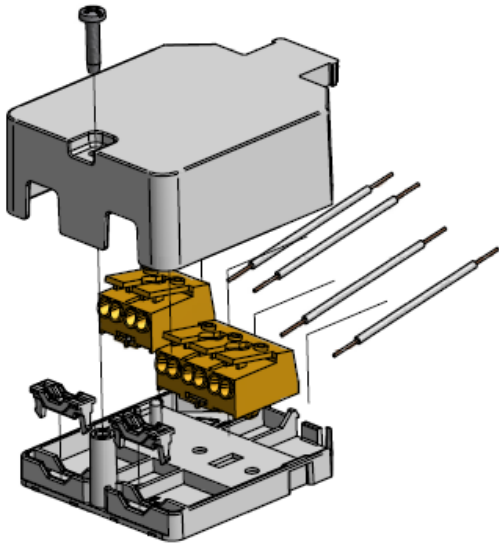
Electrical input data

Specification item	value	Unit	Condition
Nominal input voltage	220...240	Vac	
Nominal input frequency	50...60	Hz	
Mains loop through connector	WAGO294		Marking on connector N, E, L
DALI loop through connector	WAGO294		No marking on connector



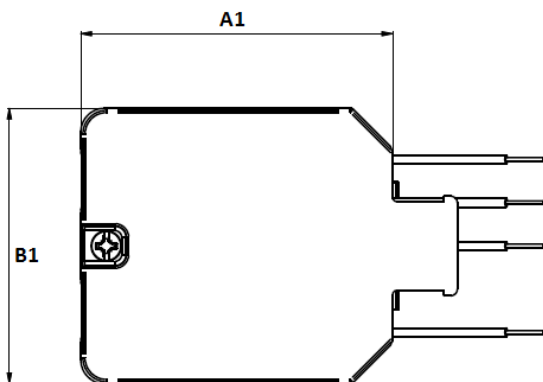
PHILIPS

Assembly method



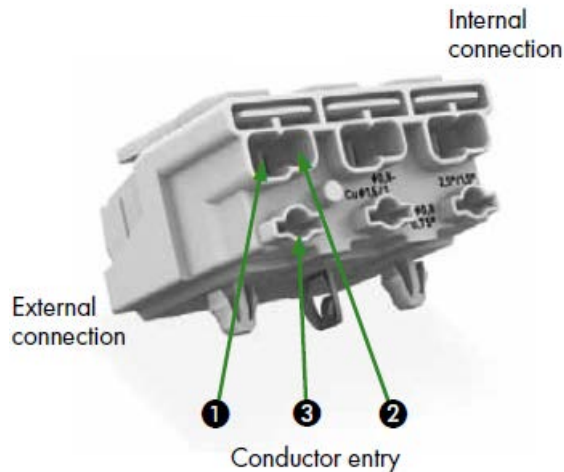
Dimensions and weight

Specification item	value	Unit	Condition
Length (A1)	71.1	mm	
Width (B1)	64.0	mm	
Height (C1)	28 - 32	mm	
weight	53	gram	
Color	White		(RAL 9010)



Connector data

External connection	value
Conductor size: solid, stranded or fine-stranded	2 x 0.5 – 2.5 mm ²
Conductor size: with ferrule	2 x 0.5 – 1.5 mm ²
AWG: solid	2 x 18 – 12
AWG: fine-stranded and stranded	2 x 18 – 14
Strip length	8 – 9 mm / 0.31 – 0.35 in



Internal connection	value	Conductor entry
Conductor size: solid	0.5 – 2.5 mm ²	1
Conductor size: fine-stranded	0.5 – 1.5 mm ² (with uninsulated ferrule)	1
Conductor size: fine-stranded	0.5 – 1.5 mm ² (with insulated ferrule)	1
AWG: solid	18 – 14	1
Strip length	8 – 9 mm / 0.31 – 0.35 in	1
Conductor size: solid	0.5 – 1.5 mm ²	2
Conductor size: fine-stranded	0.5 – 1.0 mm ² (with uninsulated ferrule)	2
Conductor size: fine-stranded	0.5 – 0.75 mm ² (with insulated ferrule)	2
AWG: solid	18 – 16	2
Strip length	8 – 9 mm / 0.31 – 0.35 in	2
Conductor size: solid	0.5 – 0.75 mm ²	3
AWG: solid	18	3
Strip length	8 – 9 mm / 0.31 – 0.35 in	3

Operating temperatures and humidity

Specification item	value	Unit	Condition
Ambient temperature	-40..+55	°C	

Storage temperature and humidity

Specification item	value	Unit	Condition
Ambient temperature	-25..+85	°C	
Relative humidity	5..95	%	Non-condensing

Logistical data

Specification item	value
Product name	Loop through adapter
Order code	
Logistic code 12NC	9290 008 81100
EAN3	
Pieces per box	35



© 2019 Signify Holding. All rights reserved. The information provided herein is subject to change, without notice. Signify does not give any representation or warranty as to the accuracy or completeness of the information included herein and shall not be liable for any action in reliance thereon. The information presented in this document is not intended as any commercial offer and does not form part of any quotation or contract, unless otherwise agreed by Signify.

Philips and the Philips Shield Emblem are registered trademarks of Koninklijke Philips N.V. All other trademarks are owned by Signify Holding or their respective owners.

Date of release: March 23, 2015

www.philips.com/xitanium